

Pitch:2.00\*2.00mm(0.0787"\*0.0787")

Box Header With Latches Right Angle Dip Type

BFBXX Series

Technical Data

Material:

Contact material: Brass

Insulator material:Black polyester UL94V-0

Standard:PA66+30%G.F

Electrical:

Current rating: 3Amps/contact max.

Contact resistance:  $\leq 20\text{m}\Omega/\text{contact}$

Insulation resistance:  $\geq 1000\text{M}\Omega$  at  $V=100\text{V}$

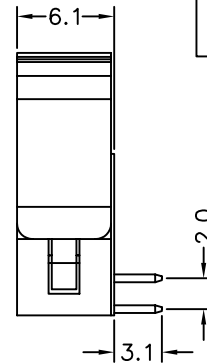
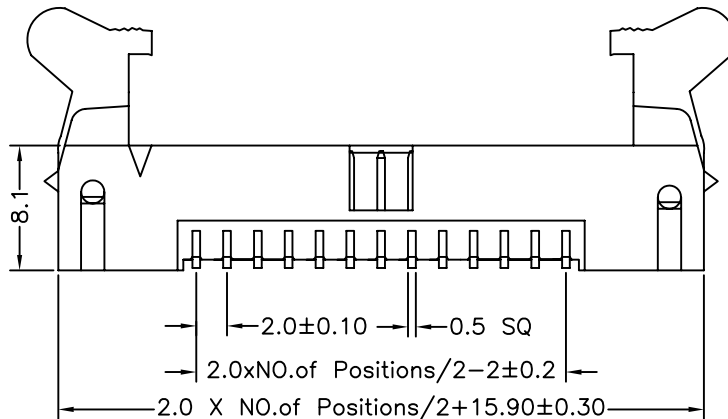
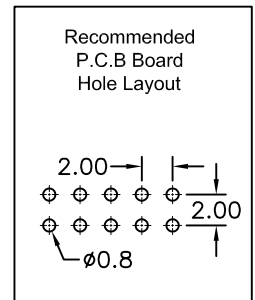
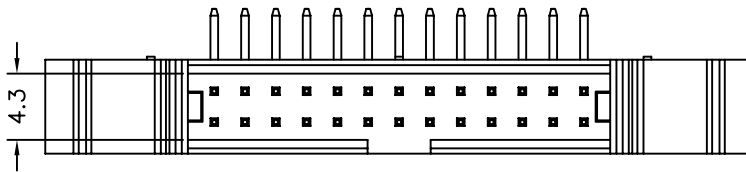
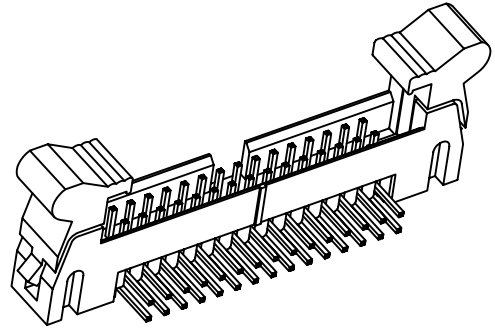
Withstanding voltage:550V AC/minute

Mechanical:

Operating temperatures: Gold plated:-55° C to+105° C

Tin plated:-40° C to+105° C

Soldering temperature: +220° C,10s max.



<b>BFB</b>	<b>XX</b>	-	<b>X</b>	<b>X</b>	<b>B</b>	<b>XX</b>
No. of Positions 06 to 64	Plating Option A G/F B Au3μ" C Au5μ" D Au10μ" E Au15μ" S Special		Insulator Material Option A BK-PBT B BK-PA66 C BK-PA6T D BK-PA46 F BK-LCP S Special		Pin Length 01-99	