

Pitch:1.00*1.00mm(0.039*0.039")

Female Header Dual Row Straight Dip Type

FCA220 Series

Technical Data

Material:

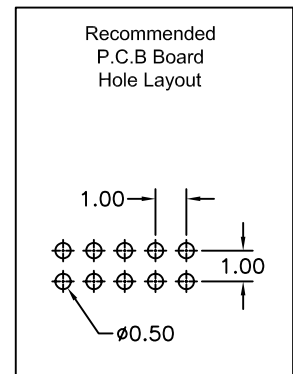
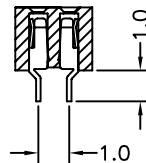
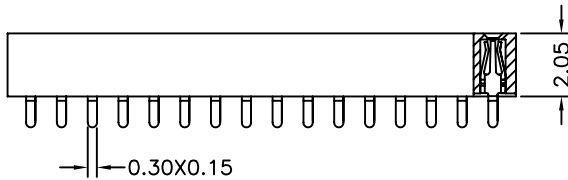
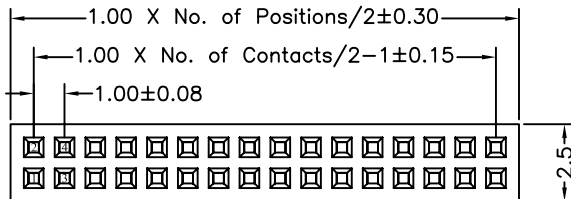
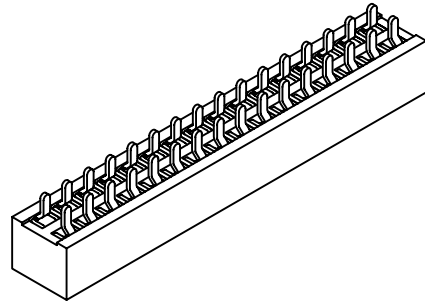
Contact material: Phosphor bronze
 Insulator material:Black polyester UL94V-0
 Standard:PA46+30%G.F

Electrical:

Current rating: 0.75Amps/contact max.
 Contact resistance: $\leq 20m\Omega$ /contact
 Insulation resistance: $\geq 1000M\Omega$ at V=100V
 Withstanding voltage:300V AC/minute

Mechanical:

Operating temperatures: Gold plated:-55° C to+105° C
 Tin plated:-40° C to+105° C
 Soldering temperature: +260° C,10s max.



FCA2200	-	U	XX	X	X	A	XX
		No. of Positions 04 to 100	Plating Option A G/F B Au3μ" C Au5μ" D Au10μ" E Au15μ" S Special		Insulator Material Option A BK-PBT B BK-PA66 C BK-PA6T D BK-PA46 F BK-LCP S Special		Pin Length 01-99