

Pitch: 1.27*1.27mm(0.05"*0.05")

Female Header Dual Row/With Post S.M.T Type

FED2XX Series

Technical Data

Material:

Contact Material: Phosphor Bronze

Insulator Material: Black Polyester UL94V-0

Standard: PA6T+30%G.F

Electrical:

Current rating: 1.0Amps/contact max.

Contact resistance: $\leq 20m\Omega$ /contact

Insulation resistance: $\geq 1000M\Omega$ at V=100V

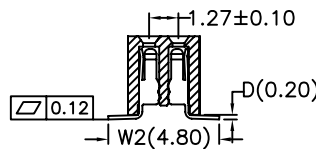
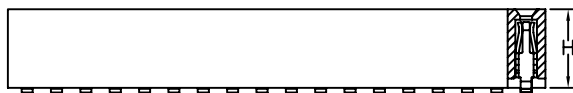
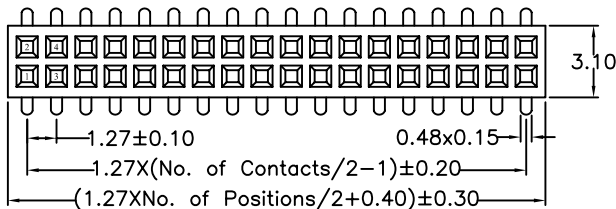
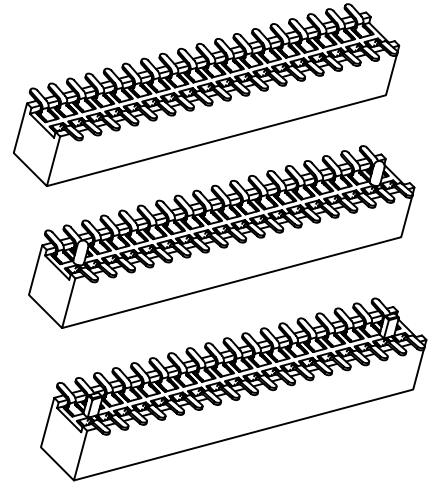
Withstanding Voltage: 300V AC/minute

Mechanical:

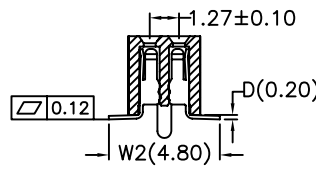
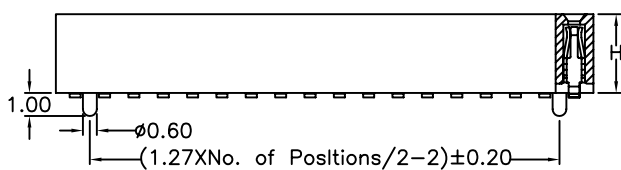
Operating temperatures: Gold Plated: -55°C~+105°C

Tin plated: -40°C~+105°C

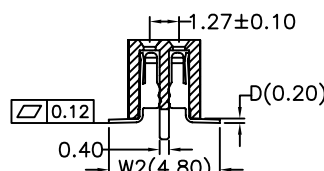
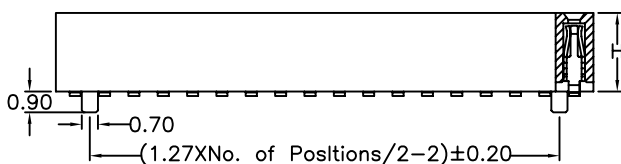
Soldering temperature: +260°C, 10s max.



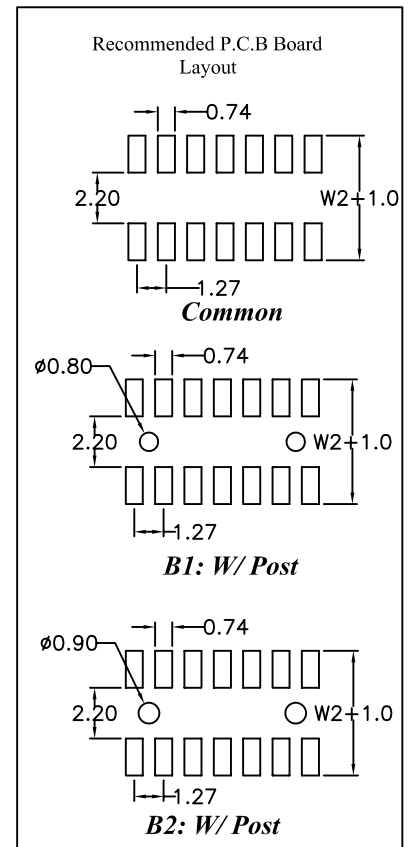
Common



B1: W/ Post



B2: W/ Post



FED2	XX	0 - U	XX	X	X	X	XX				
High Option 34 H=3.4mm 44 H=4.4mm		No. of Positions 04~80 06~80		Plating Option A G/F B Au3μ" C Au5μ" D Au10μ" H GF/Sn120μ" S Sn120μ" Z Special		Insulator Material Option A BK-PBT C BK-PA6T D BK-PA46 F BK-LCP S Special		Type Option A Common B W/ Post		Serial No. 01~99	