

# 2.54mm(0.1") Wafer Single Row R/A

## Specifications

### Material:

Housing: PA66, UL 94V-0 RoHS

Terminal: Brass, Tin plated

### Electrical:

Current Rating: 3A AC/DC

Voltage Rating: 250V AC/DC

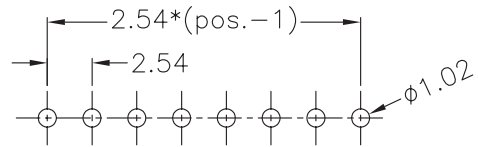
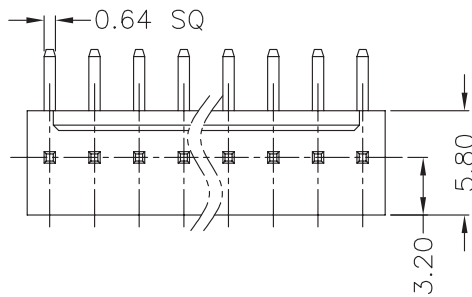
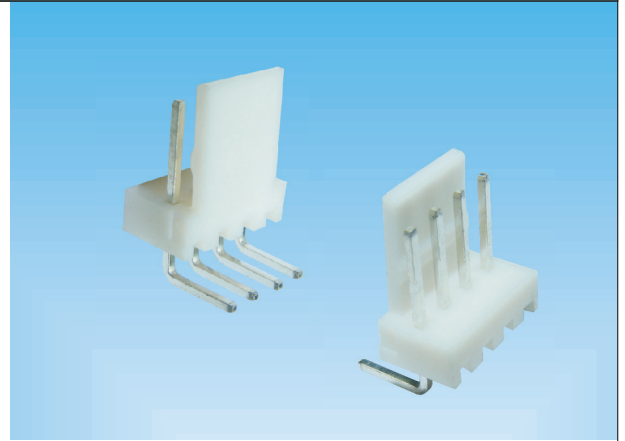
Withstanding Voltage: 1000V AC/Minute.

Contact Resistance: 20mΩ MAX.

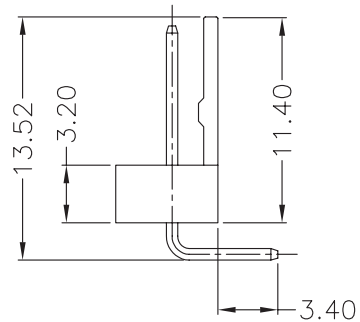
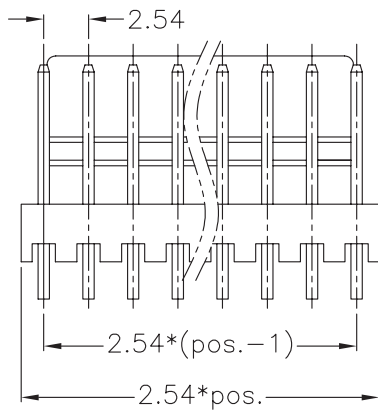
Insulator Resistance: 1000MΩ MIN

### Mechanical:

Operating Temp. : -25°C ~ +85°C



P.C.B Layout



How to order the Part No. (Please replace "X" with appropriate coding listed in the tables below.)

W X

Pitch	
B	0.80mm
C	1.00mm
D	1.25mm
F	2.00mm
G	2.50mm
H	2.54mm
I	3.96mm
K	5.08mm

X

Pin Type	
A	180°
B	90°
D	SMT

X

Row Option	
1	Single Row
2	Dual Row
Z	Special

XX

No. of positions	
06 to 36	

X

Contact Plating	
A	GF
C	Au 5μ"
D	Au 10μ"
E	Au 15μ"
F	Au 30μ"
H	GF / Sn120μ"
S	Sn120μ"
Z	Special

X

Connector Type	
A:	A Type
B:	B Type

XX

Serial No.	
00-99	
00 Standard	