

Pitch: 1.27*1.27mm(0.05"*0.05")
 Box Header Right Angle Dip Type

BEBXX-XXA Series

Technical Data

Material:

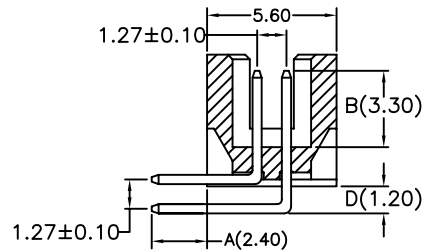
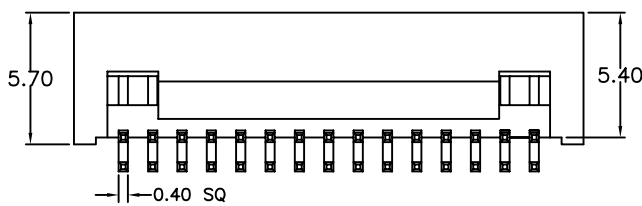
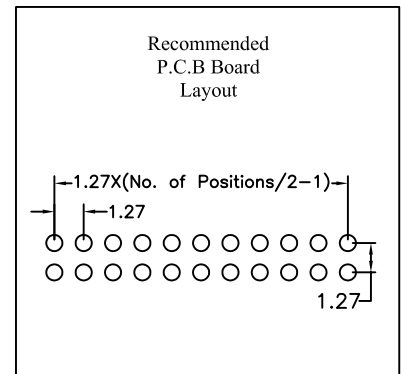
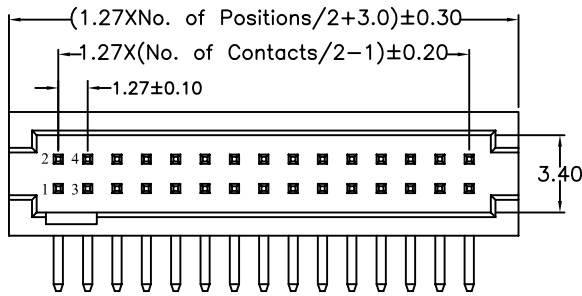
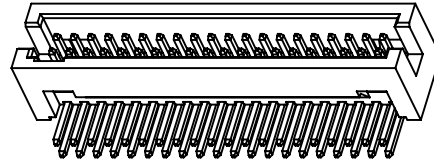
Contact Material: Phosphor Bronze
 Insulator Material: Black Polyester UL94V-0
 Standard: PA6T+30%G.F

Electrical:

Current rating: 1.0Amps/contact max.
 Contact resistance: $\leq 20m\Omega$ /contact
 Insulation resistance: $\geq 1000M\Omega$ at V=100V
 Withstanding Voltage: 300V AC/minute

Mechanical:

Operating temperatures: Gold Plated: -55°C~+105°C
 Tin plated: -40°C~+105°C
 Soldering temperature: +260°C, 10s max.



BEB	XX	-	X	X	A	XX
	No. of Positions 04~64		Plating Option A G/F B Au3μ" C Au5μ" D Au10μ" H GF/Sn120μ" S Sn120μ" Z Special	Insulator Material Option A BK-PBT C BK-PA6T D BK-PA46 F BK-LCP S Special		Serial No. 01~99