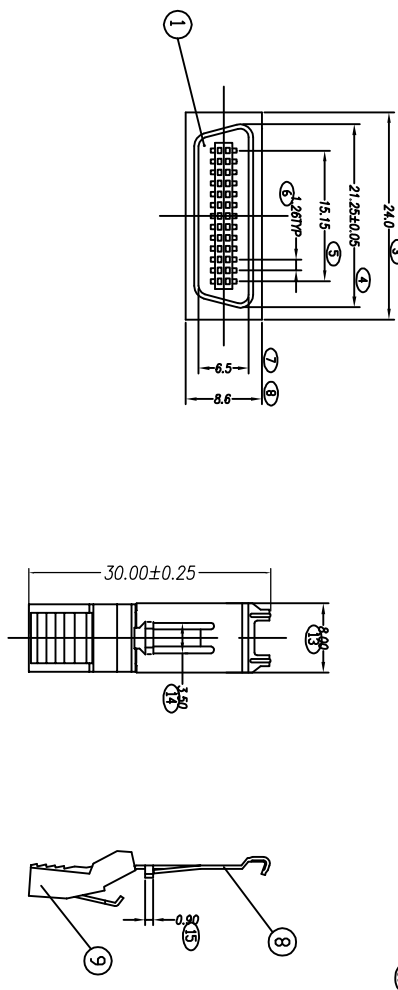
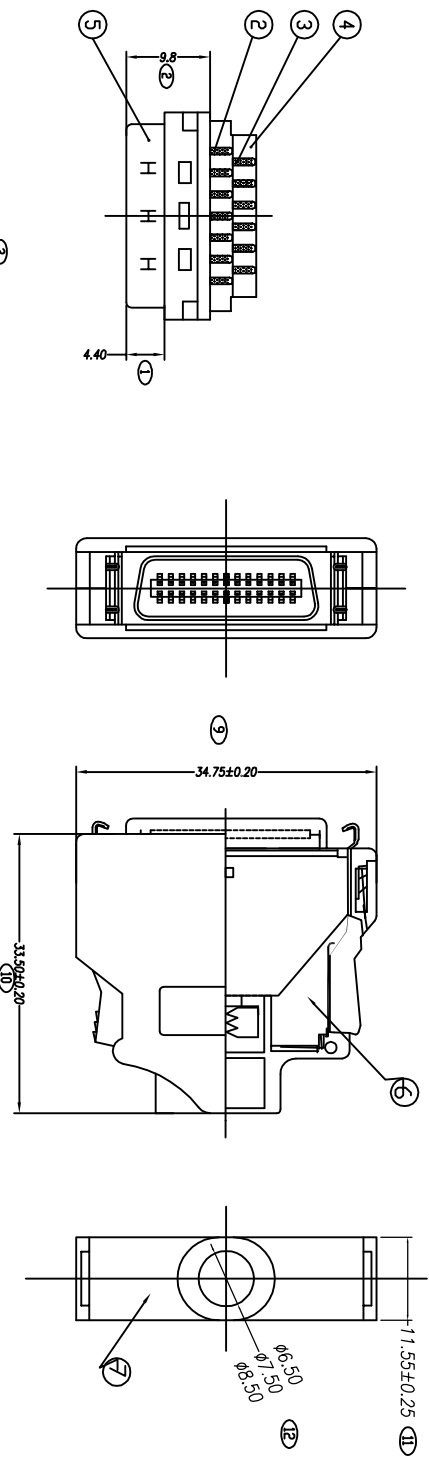
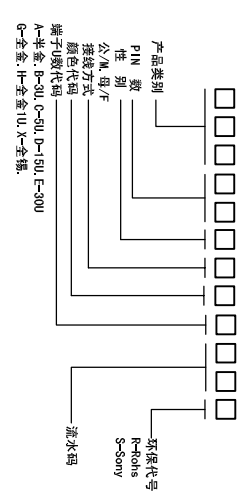


1	2	3	4	5	6	7	8
版次	修改内容	日期					
A/1	版次和编号	2009-11-25					

料号编码原则:



ELECTRICAL:
 1.CURRENT RATING:
 DC 1 AMP
 2.DIELECTRIC WITHSTANDING VOLTAGE:
 AC 250V Min(For 1 minute),
 3.INSULATION RESISTANCE:
 500M OHMS Min(AT 500V DC),
 4.CONTACT RESISTANCE:
 30m OHMS Max.
 5.WORKING TEMPERATURE:
 -55° C ~ +105° C
 6. "IS" IS DIMENSION NO

9	LATCH	PHOSPHOR BRONZE	NICKE	0.40mm	2						
8	LATCH PLASTIC	ABS			2						
7	OUTER SHELL	ABS			1SET						
6	INNER SHELL	SPCC	NICKEL	0.50mm	1SET						
5	SHELL FRONT	SPCC	NICKEL	0.30mm	1						
4	PLASTIC COVER	PBT+15% GF UL 94V-0C(BLACK)	G/F/ *U', GOLD ALL*U'	0.20mm	14						
3	CONTACTOR-PL	PHOSPHOR BRONZE	G/F/ *U', GOLD ALL*U'	0.20mm	14						
2	CONTACTOR-PS	PHOSPHOR BRONZE	G/F/ *U', GOLD ALL*U'	0.20mm	12						
1	INSULATOR	PBT+15% GF UL 94V-0C(BACK)			1						
NO.	PART NAME.	DESCRIPTION	PLATING	THICKNESS	Q'TY						
1											

COMMONLY TOLERANCES		DWG NO		SCALE		SHEET		DARW	
X/XXX	±0.05	KLT-CP-5	1:1	1/1	4/1				
X/XX	±0.15	PART NO							
X/XX	±0.20	CMC26M**R							
X	±0.25	TITLE							
ANGLE	±2°	HALF PITCH CENTRONIC							
3RD ANGLES		26P FOR PLASTIC							
		HOOD TYPE							

Iuozhongtu