

Pitch:2.54*2.54mm(0.1"*0.1")

Box Header With Latches Right Angle Dip Type

BHBXX Series

Technical Data

Material:

Contact material: Brass

Insulator material:Black polyester UL94V-0

Standard:PBT+30%G.F

Electrical:

Current rating: 3Amps/contact max.

Contact resistance: $\leq 20m\Omega$ /contact

Insulation resistance: $\geq 1000M\Omega$ at V=100V

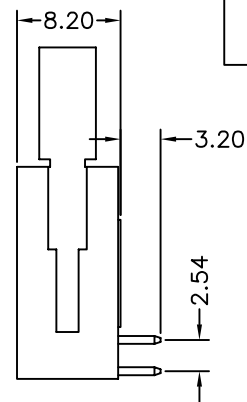
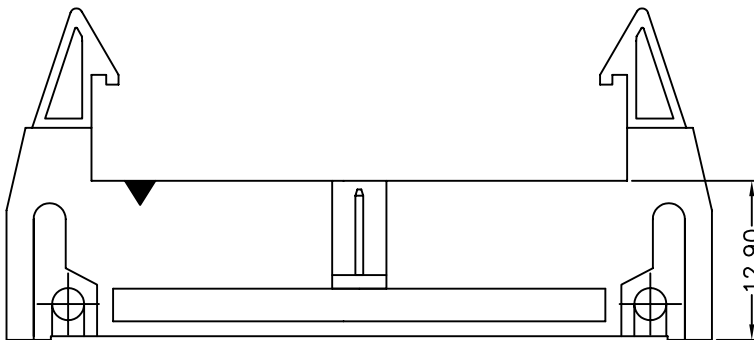
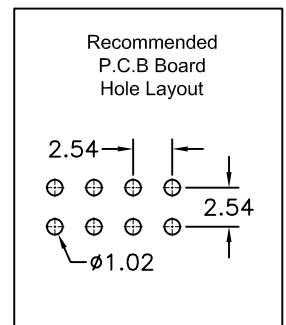
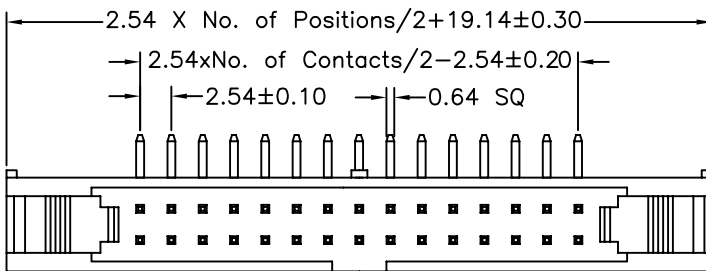
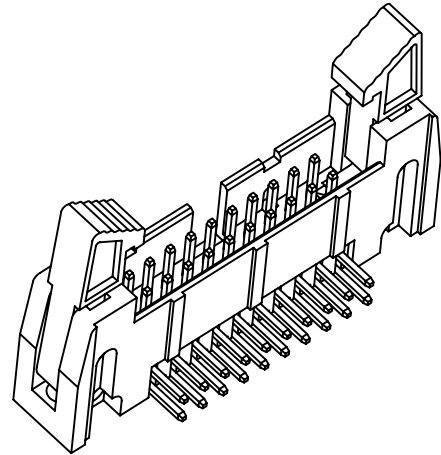
Withstanding voltage:550V AC/minute

Mechanical:

Operating temperatures: Gold plated:-55° C to+105° C

Tin plated:-40° C to+105° C

Soldering temperature: +220° C,10s max.



BHB	XX	-	X	X	B	XX
	No. of Positions 06 to 64		Plating Option A G/F B Au3μ" C Au5μ" D Au10μ" E Au15μ" S Special	Insulator Material Option A BK-PBT B BK-PA66 C BK-PA6T D BK-PA46 F BK-LCP S Special		Pin Length 01-99