

Pitch:2.54\*2.54mm(0.1"\*0.1")

Box Header S.M.T Type

BHDXX Series

Technical Data

Material:

Contact material: Brass

Insulator material:Black polyester UL94V-0

Standard:PA6T+30%G.F

Electrical:

Current rating: 3Amps/contact max.

Contact resistance:  $\leq 20m\Omega$ /contact

Insulation resistance:  $\geq 1000M\Omega$  at V=100V

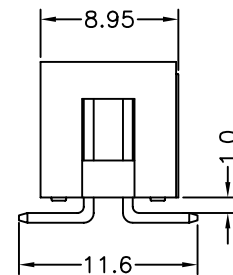
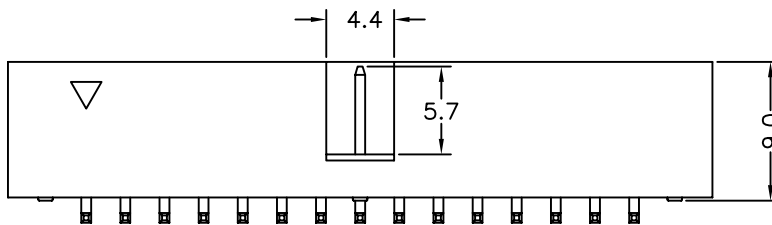
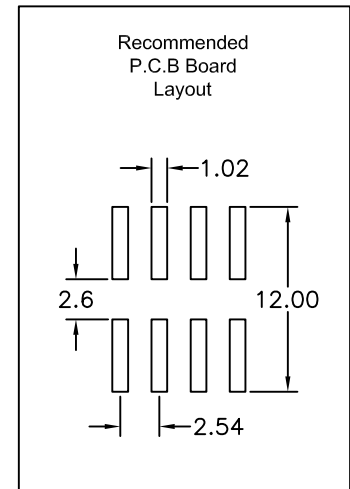
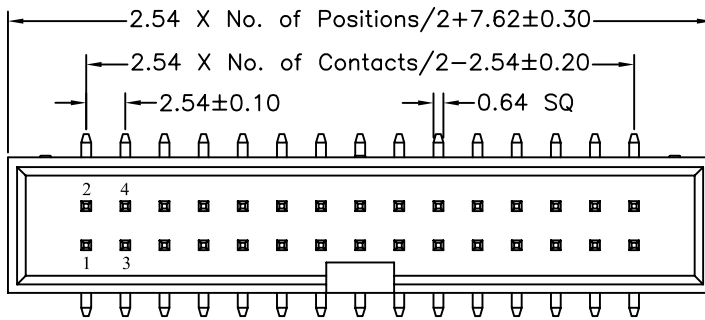
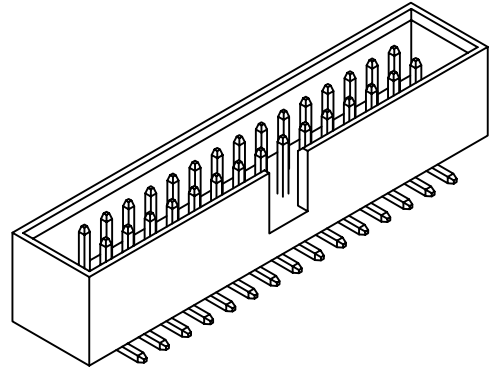
Withstanding voltage:550V AC/minute

Mechanical:

Operating temperatures: Gold plated:-55° C to+105° C

Tin plated:-40° C to+105° C

Soldering temperature: +260° C,10s max.



<b>BHD</b>	<b>XX</b>	-	<b>X</b>	<b>X</b>	<b>A</b>	<b>XX</b>
No. of Positions 06 to 64	Plating Option A Au3μ" B Au5μ" C Au10μ" D Au15μ" E Au15μ" S Special	Insulator Material Option A BK-PBT B BK-PA66 C BK-PA6T D BK-PA46 F BK-LCP S Special	Pin Length 01-99			