

Pitch:2.54*2.54mm(0.1"*0.1")
 Box Header Straight Dip Type

BHAXX Series

Technical Data

Material:

Contact material: Brass

Insulator material:Black polyester UL94V-0

Standard:PBT+30%G.F

Electrical:

Current rating: 3Amps/contact max.

Contact resistance: $\leq 20\text{m}\Omega/\text{contact}$

Insulation resistance: $\geq 1000\text{M}\Omega$ at $V=100\text{V}$

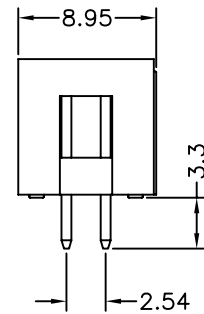
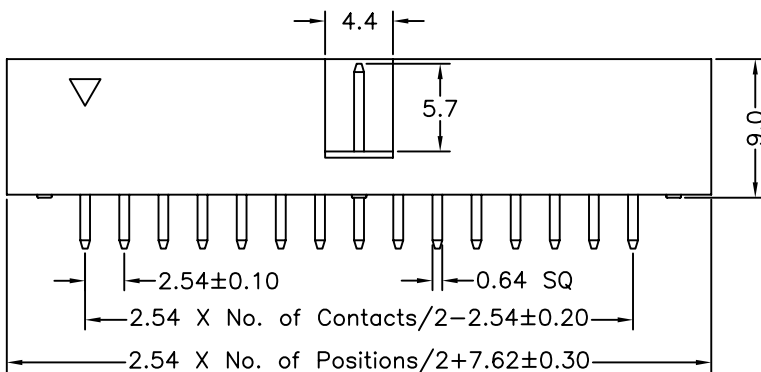
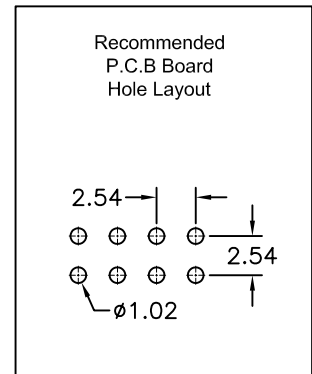
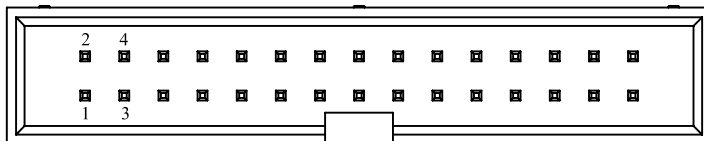
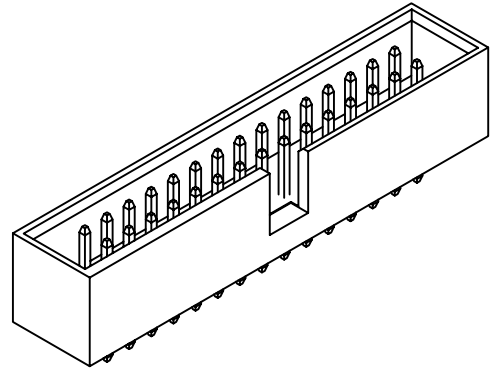
Withstanding voltage:550V AC/minute

Mechanical:

Operating temperatures: Gold plated:-55° C to+105° C

Tin plated:-40° C to+105° C

Soldering temperature: +220° C,10s max.



BHA	XX	-	X	X	A	XX
No. of Positions 06 to 64	Plating Option A G/F B Au3 μ " C Au5 μ " D Au10 μ " E Au15 μ " S Special	Insulator Material Option A BK-PBT B BK-PA66 C BK-PA6T D BK-PA46 F BK-LCP S Special	Pin Length 01-99			