

Pitch:2.54*2.54mm(0.1"*0.1")

Pin Header Dual Row Right Angle Dip Type

QHB2XX Series

Technical Data

Material:

Contact material: Brass

Insulator material:Black polyester UL94V-0

Standard:PBT+30%G.F

Electrical:

Current rating: 3Amps/contact max.

Contact resistance: $\leq 20m\Omega$ /contact

Insulation resistance: $\geq 1000M\Omega$ at V=100V

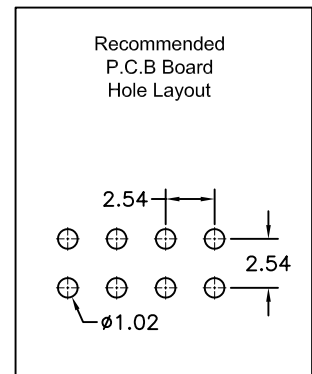
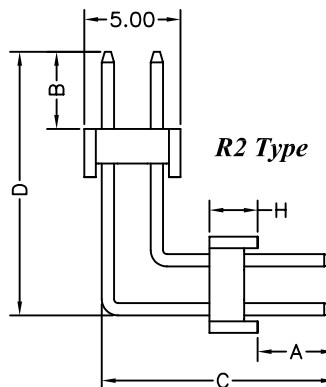
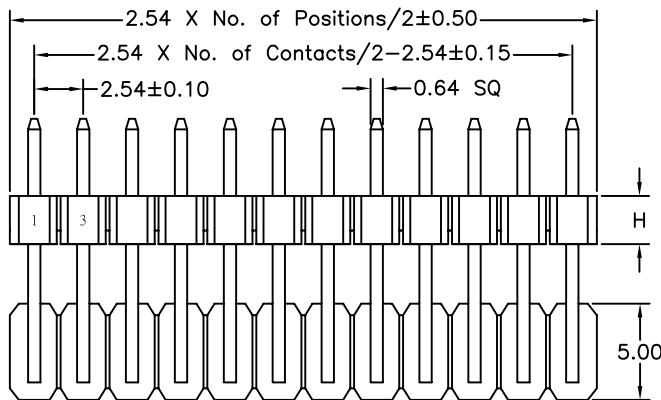
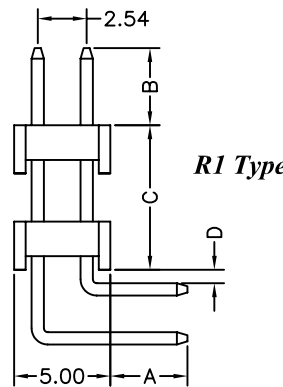
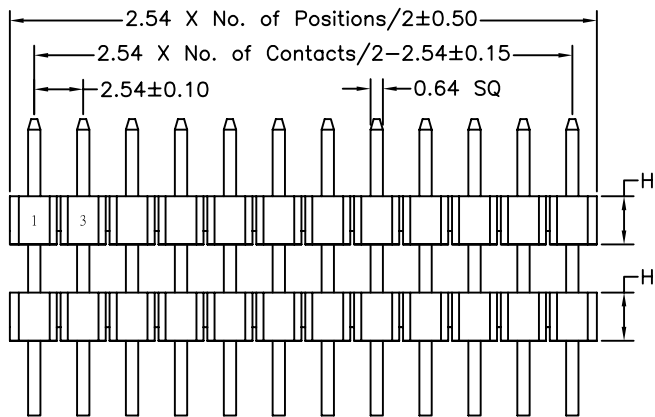
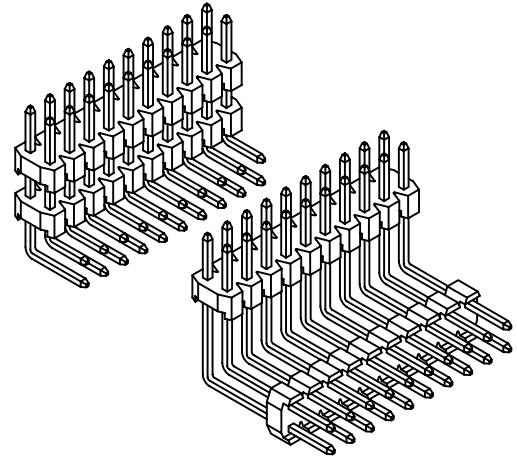
Withstanding voltage:550V AC/minute

Mechanical:

Operating temperatures: Gold plated:-55° C to+105° C

Tin plated:-40° C to+105° C

Soldering temperature: +220° C,10s max.



QHB2	XX	2 - P	XX	X	X	X	XX
	High Option 15 H=1.5mm 17 H=1.7mm 20 H=2.0mm 25 H=2.5mm	No. of Positions 04 to 80	Plating Option A G/F B Au3μ" C Au5μ" D Au10μ" E Au15μ" S Special	Insulator Material Option A BK-PBT B BK-PA66 C BK-PA6T D BK-PA46 F BK-LCP S Special	Reflexed Type Option A R1 Type B R2 Type	Pin Length (A/B/C/D) 01-99	