

Pitch:2.54*2.54mm(0.1"*0.1")

Pin Header Dual Row Straight Dip Type

QHA274 Series

Technical Data

Material:

Contact material: Brass

Insulator material:Black polyester UL94V-0

Standard:PBT+30%G.F

Electrical:

Current rating: 3Amps/contact max.

Contact resistance: $\leq 20\text{m}\Omega$ /contact

Insulation resistance: $\geq 1000\text{M}\Omega$ at V=100V

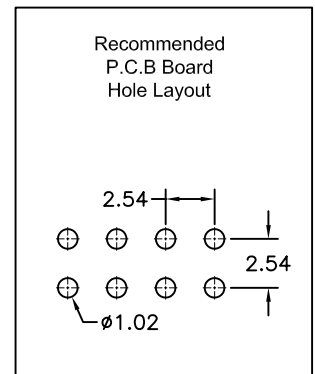
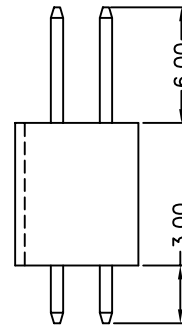
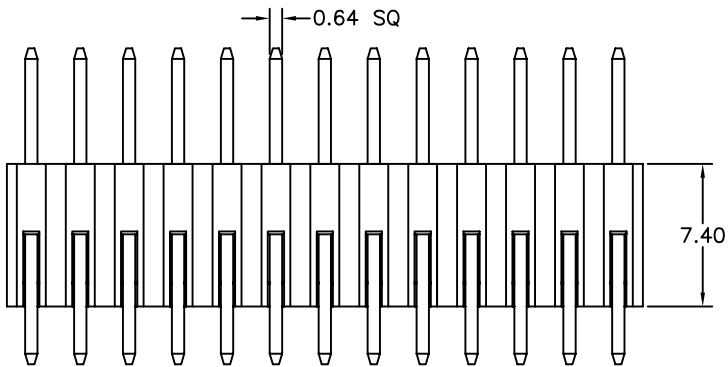
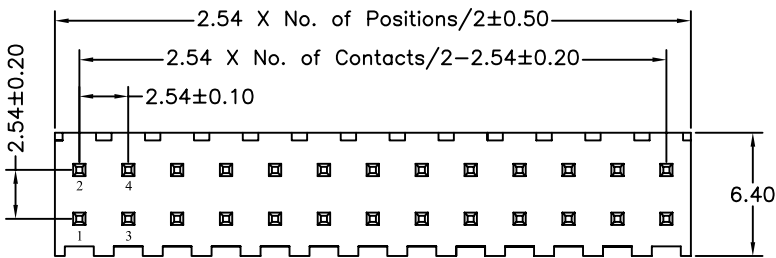
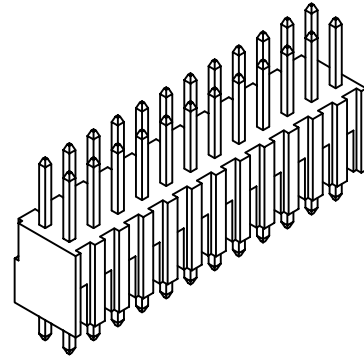
Withstanding voltage:550V AC/minute

Mechanical:

Operating temperatures: Gold plated:-55° C to+105° C

Tin plated:-40° C to+105° C

Soldering temperature: +220° C,10s max.



QHA2741 - **P** **XX** **X** **X** **A** **XX**

No. of Positions
04 to 80

Plating Option
A G/F
B Au3 μ "
C Au5 μ "
D Au10 μ "
E Au15 μ "
S Special

Insulator Material Option
A BK-PBT
B BK-PA66
C BK-PA6T
D BK-PA46
F BK-LCP
S Special

Pin Length
01-99