

Pitch:2.00\*2.00mm(0.0787"\*0.0787")  
 Box Header With Latches S.M.T Type

BFDXX Series

Technical Data

Material:

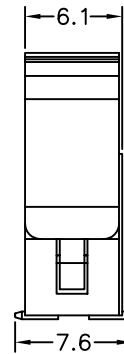
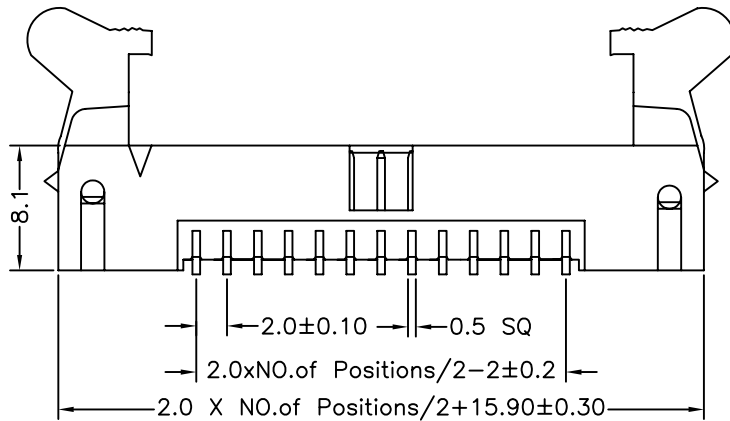
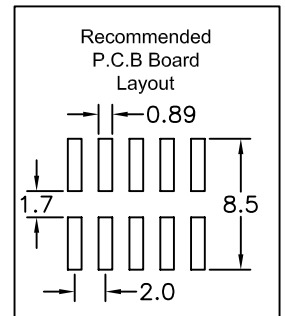
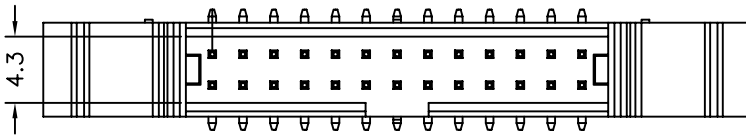
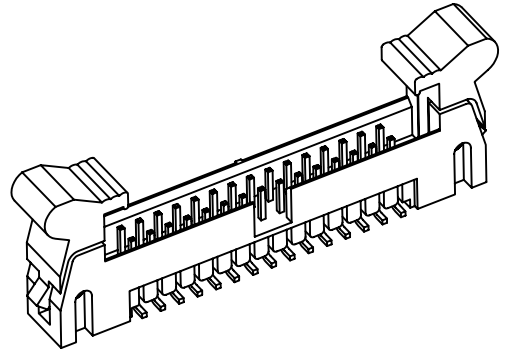
Contact material: Brass  
 Insulator material:Black polyester UL94V-0  
 Standard:PA6T+30%G.F

Electrical:

Current rating: 3Amps/contact max.  
 Contact resistance:  $\leq 20m\Omega$ /contact  
 Insulation resistance:  $\geq 1000M\Omega$  at V=100V  
 Withstanding voltage:550V AC/minute

Mechanical:

Operating temperatures: Gold plated:-55° C to+105° C  
 Tin plated:-40° C to+105° C  
 Soldering temperature: +260° C,10s max.



<b>BFD</b>	<b>XX</b>	-	<b>X</b>	<b>X</b>	<b>B</b>	<b>XX</b>
No. of Positions 06 to 64	Plating Option A G/F B Au3 $\mu$ " C Au5 $\mu$ " D Au10 $\mu$ " E Au15 $\mu$ " S Special	Insulator Material Option A BK-PBT B BK-PA66 C BK-PA6T D BK-PA46 F BK-LCP S Special	Pin Length 01-99			