

Pitch:2.54mm(0.1")

Female Header Single Row S.M.T Type

FHD1XX Series

Technical Data

Material:

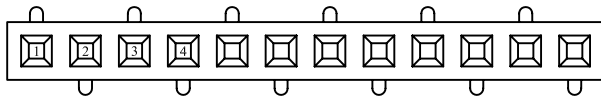
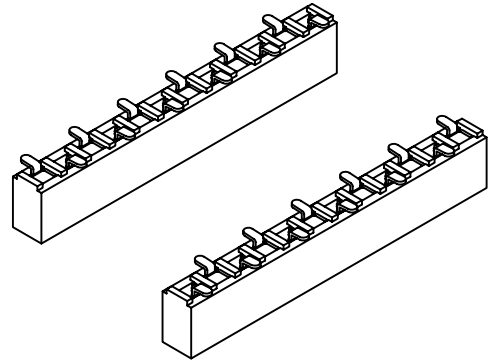
Contact material: Phosphor bronze
 Insulator material:Black polyester UL94V-0
 Standard:PA6T+30%G.F

Electrical:

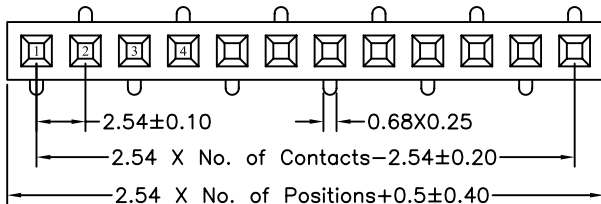
Current rating: 3Amps/contact max.
 Contact resistance: $\leq 20m\Omega$ /contact
 Insulation resistance: $\geq 1000M\Omega$ at V=100V
 Withstanding voltage:550V AC/minute

Mechanical:

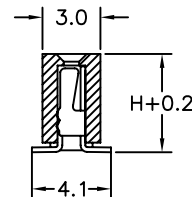
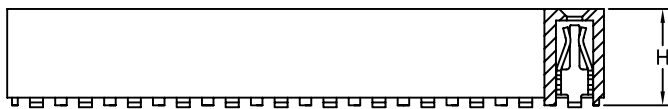
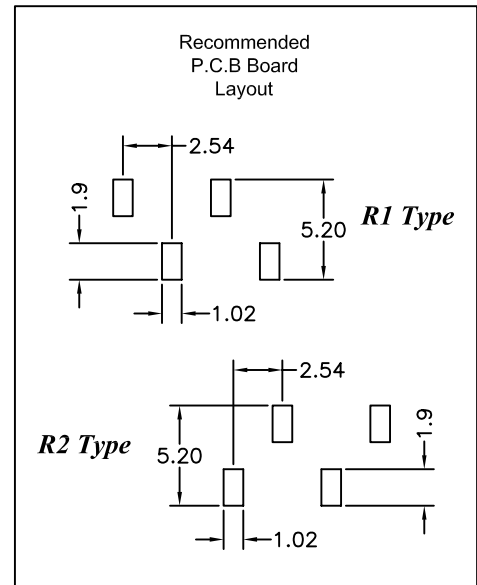
Operating temperatures: Gold plated:-55° C to+105° C
 Tin plated:-40° C to+105° C
 Soldering temperature: +260° C,10s max.



R1 Type



R2 Type



FHD1	XX	0 - U	XX	X	X	X	XX
	High Option 50 H=5.0mm 85 H=8.5mm		No. of Positions 02 to 40	Plating Option A G/F B Au3μ" C Au5μ" D Au10μ" E Au15μ" S Special	Insulator Material Option A BK-PBT B BK-PA66 C BK-PA6T D BK-PA46 F BK-LCP S Special	Reflexed Type Option A R1 Type B R2 Type	Pin Length 01~99