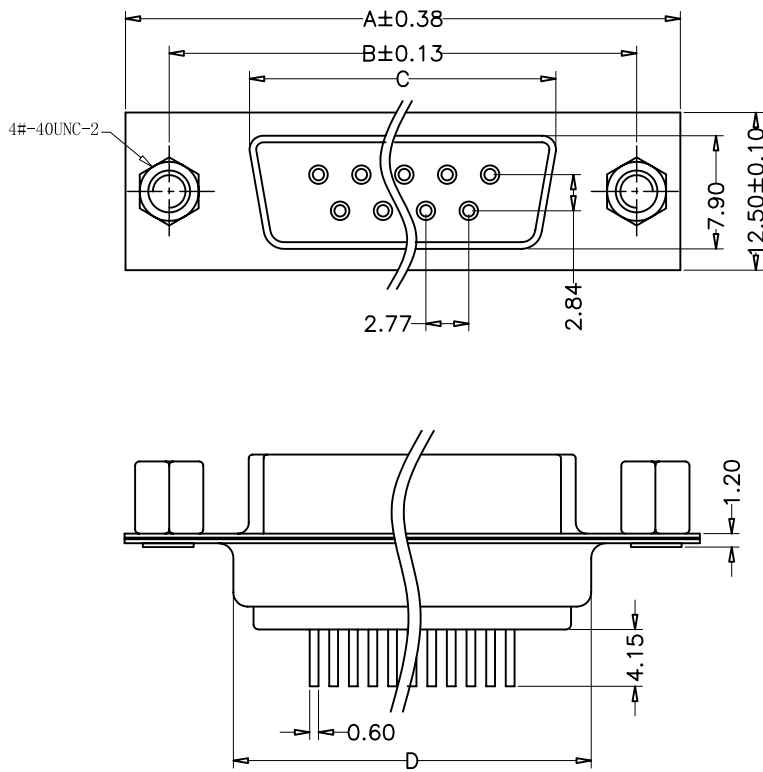
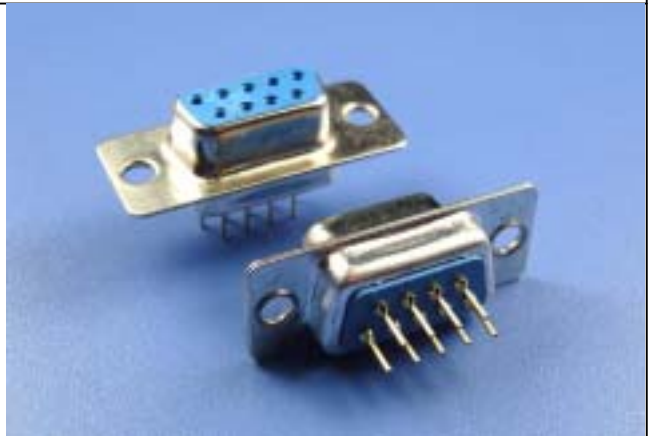


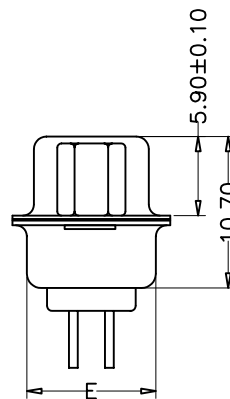
D-SUB Female Dual Row Series See Table

SPECIFICATIONS

Corrent Rating: 5 Amp
 Insulator resistance: 1000Megohms min
 Operating Temperature: 55°C~105°C
 Contact resistance: 30mΩ MAX.
 Dielectric withstanding: AC 500V
 Insulator material: PBT+30%G.F UL94V-0 ROHS
 Contact material: Brass
 Contact plating: Selecting Plated
 Shell Materiaal: Steel
 Shell Plated: Ni plated



PINS	A	B	C	D	E
9	30.81	24.99	16.33	19.28	10.72
15	39.14	33.32	24.66	27.65	10.72
25	53.04	47.04	38.38	41.30	10.72
37	69.32	63.50	54.84	57.44	10.72



How to order the Part No. (Please replace "X" with appropriate coding listed in the tables below.)

D **X**

Gender
 M Male/Plug
 F Female /Receptacle

X

Versions
 D DIP Type
 S Soldering

XX

Pin NO
 09 9Pin
 15 15Pin
 25 25Pin
 37 37Pin

-- **X**

Contact Plating
 1 Tin
 2 Gold Flash
 3 Gold/Tin
 4 Gold3μ"
 5 Gold5μ"
 6 Gold10μ"
 7 Gold30μ"

X

Shell Plating
 1 Gold
 2 Nickel
 3 Stainless Stell
 S Special

X **--**

Housing Colour
 01 Black
 02 Blue
 03 Green
 04 Yellow

XX

Glide NO
 01-99