

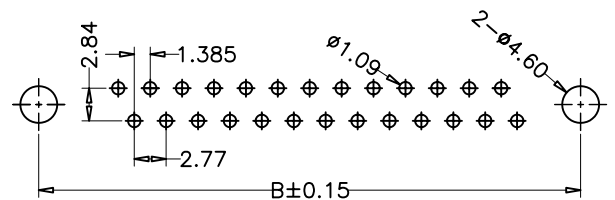
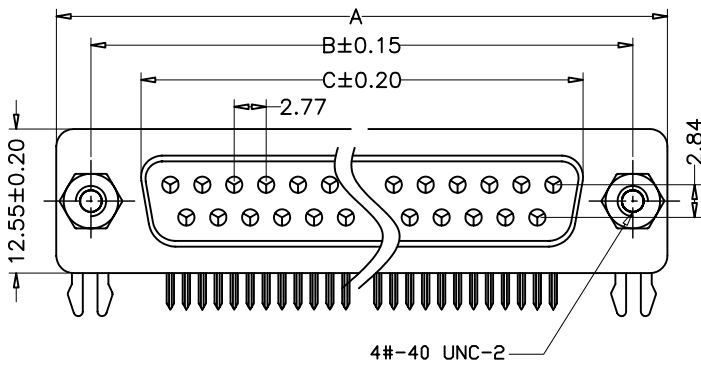
D-SUB Male Right Angle Series See Table

SPECIFICATIONS

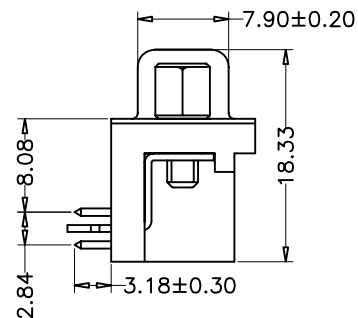
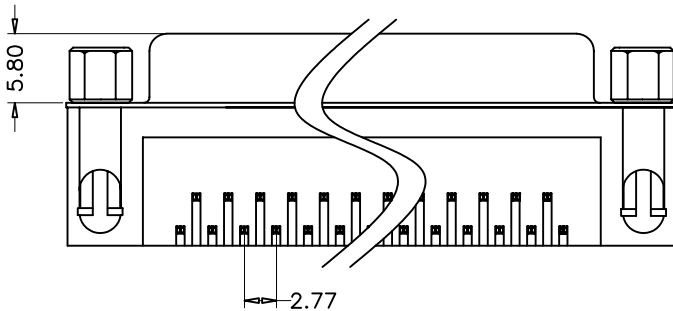
Corrent Rating: 5 Amp
 Insulator resistance: 1000Megohms min
 Operating Temperature: 55°C~105°C
 Contact resistance: 30mΩ MAX.
 Dielectric withstanding: AC 500V
 Insulator material: PBT+30%G.F UL94V-0 ROHS
 Contact material: Brass
 Contact plating: Selecting Plated
 Shell Materiaal: Steel
 Shell Plated: Ni plated



POS.	A	B	C	D	E	F
9P	16.35	25.00	30.80	16.55	15.05	18.80
15P	24.70	33.30	39.20	25.05	23.65	26.90
25P	38.40	47.05	53.05	38.75	37.10	40.40
37P	54.80	63.50	69.40	55.00	53.30	59.80



P.C.B LAYOUT



How to order the Part No. (Please replace "X" with appropriate coding listed in the tables below.)

D **X**

Gender
 M Male/Plug
 F Female /Receptacle

X

Versions
 D DIP Type
 S Soldering

XX

Pin NO
 09 9Pin
 15 15Pin
 25 25Pin
 37 37Pin

-- **X**

Contact Plating
 1 Tin
 2 Gold Flash
 3 Gold/Tin
 4 Gold3μ"
 5 Gold5μ"
 6 Gold10μ"
 7 Gold30μ"

X

Shell Platting
 1 Gold
 2 Nickel
 3 Stainless Stell
 S Special

X --

Housing Colour
 01 Block
 02 Blue
 03 Green
 04 Yellow

XX

Glide NO
 01-99