

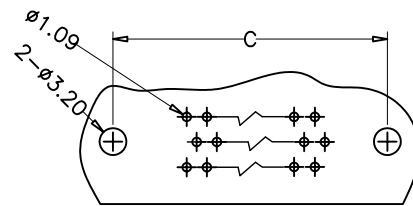
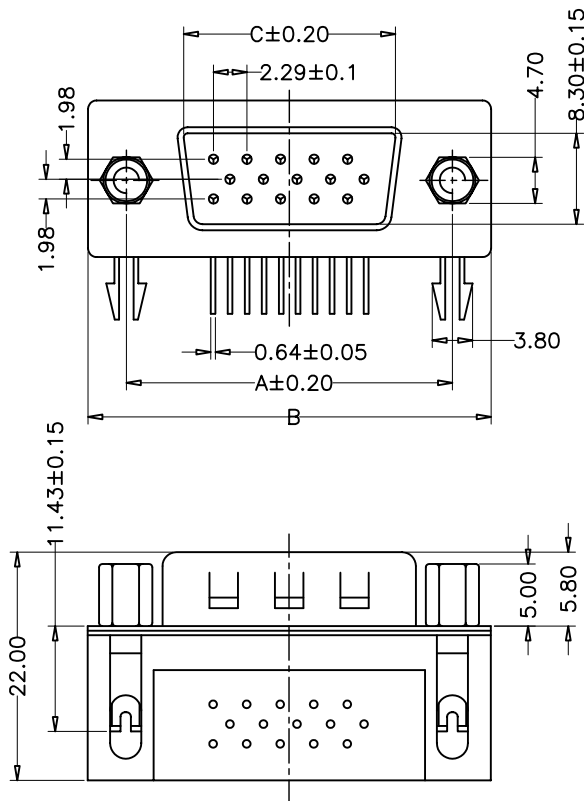
D-SUB Male Right Angle Series

SPECIFICATIONS

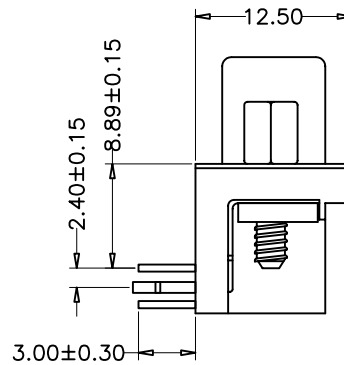
1. Material:
 - Housing:LCP UL94V-0 ROHS
 - Actuator:LCP UL94V-0 ROHS
 - Terminal:Phosphor Bronze
 - Stopper:Phosphor Bronze
2. Plating:
 - Terminal:Gold Plated
 - Stopper:Tin Over Ni
3. Rating:
 - Operating Voltage:30V
 - Current Rating:0.2A
 - Operating Temperature:-25°C~+85°C



	A	B	C
15P	24.99	30.86	16.92
26P	33.32	39.14	25.25
44P	47.04	53.66	38.96
62P	63.50	69.80	55.42



P.C.B LAYOUT



How to order the Part No. (Please replace "X" with appropriate coding listed in the tables below.)

D	X	X	XX	--	X	X	X	--	XX
Gender	Versions	Pin NO	Contact Plating	Shell Plating	Housing Colour	Glide NO			
M Male/Plug F Female /Receptacle	D DIP Type S Soldering	09 9Pin 15 15Pin 25 25Pin 37 37Pin	1 Tin 2 Gold Flash 3 Gold/Tin 4 Gold3µ" 5 Gold5µ" 6 Gold10µ" 7 Gold30µ"	1 Gold 2 Nickel 3 Stainless Stell S Special	01 Block 02 Blue 03 Green 04 Yellow	01-99			