

# D-SUB Press Type Mile Series Female

## SPECIFICATIONS

### 1. Material:

Housing:LCP UL94V-0 ROHS  
 Actuator:LCP UL94V-0 ROHS  
 Terminal:Phosphor Bronze  
 Stopper:Phosphor Bronze

### 2. Plating:

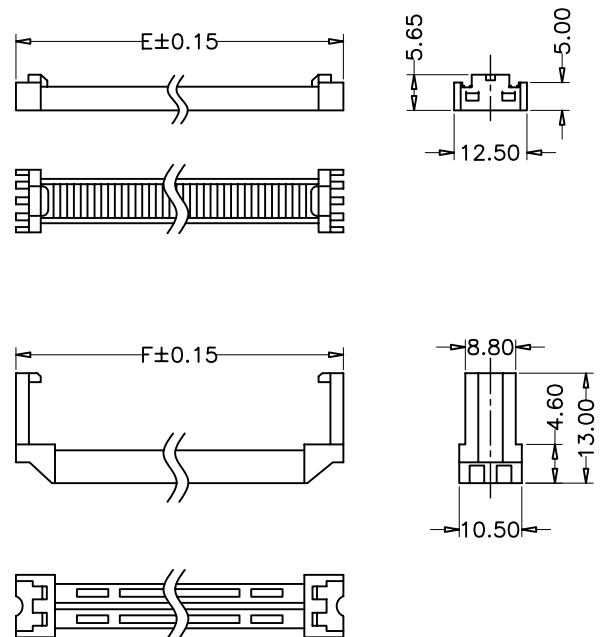
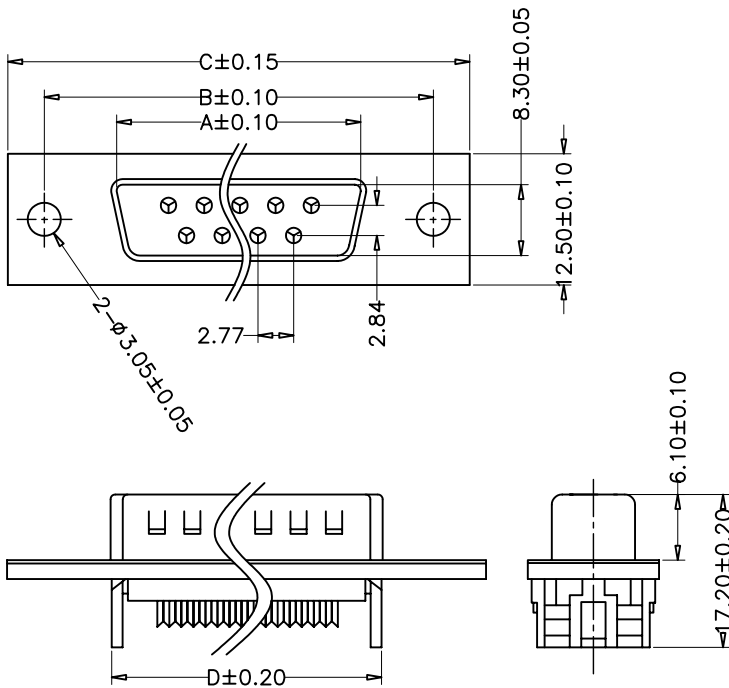
Terminal:Gold Plated  
 Stopper:Tin Over Ni

### 3. Rating:

Operating Voltage:30V  
 Current Rating:0.2A  
 Operating Temperature:-25°C~+85°C



POS.	A	B	C	D	E	F
9P	16.35	25.00	30.80	16.55	15.05	18.80
15P	24.70	33.30	39.20	25.05	23.65	26.90
25P	38.40	47.05	53.05	38.75	37.10	40.40
37P	54.80	63.50	69.40	55.00	53.30	59.80



How to order the Part No. (Please replace "X" with appropriate coding listed in the tables below.)

**D** **X**

Gender  
 M Male/Plug  
 F Female  
 /Receptacle

**X**

Versions  
 D DIP Type  
 S Soldering

**XX**

Pin NO  
 09 9Pin  
 15 15Pin  
 25 25Pin  
 37 37Pin

-- **X**

Contact Plating  
 1 Tin  
 2 Gold Flash  
 3 Gold/Tin  
 4 Gold3μ"  
 5 Gold5μ"  
 6 Gold10μ"  
 7 Gold30μ"

**X**

Shell Plating  
 1 Gold  
 2 Nickel  
 3 Stainless Stell  
 S Special

**X** --

Housing Colour  
 01 Block  
 02 Blue  
 03 Green  
 04 Yellow

**XX**

Glide NO  
 01-99