

D-SUB Press Type Mile Series Male

SPECIFICATIONS

1. Material:

Housing:LCP UL94V-0 ROHS
 Actuator:LCP UL94V-0 ROHS
 Terminal:Phosphor Bronze
 Stopper:Phosphor Bronze

2. Plating:

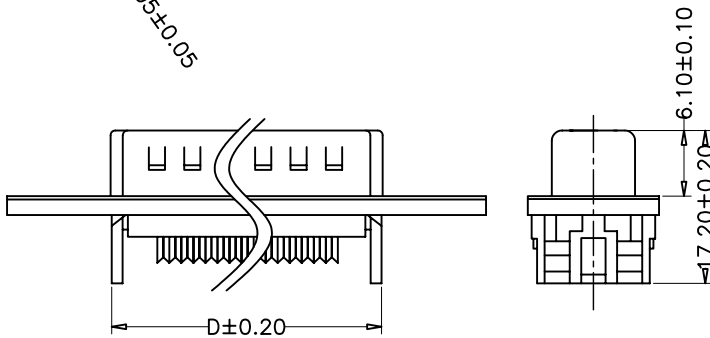
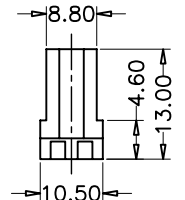
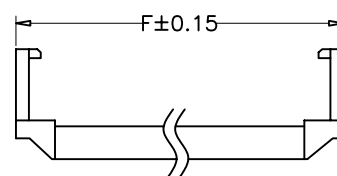
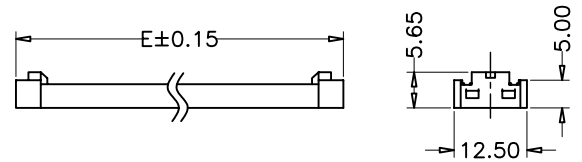
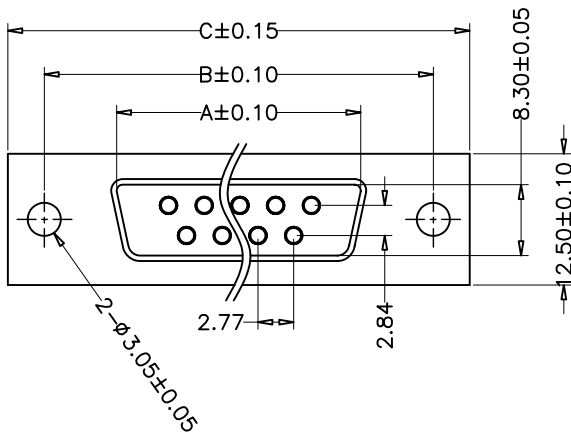
Terminal:Gold Plated
 Stopper:Tin Over Ni

3. Rating:

Operating Voltage:30V
 Current Rating:0.2A
 Operating Temperature:-25°C~+85°C



| POS. | A | B | C | D | E | F |
|------|-------|-------|-------|-------|-------|-------|
| 9P | 16.35 | 25.00 | 30.80 | 16.55 | 15.05 | 18.80 |
| 15P | 24.70 | 33.30 | 39.20 | 25.05 | 23.65 | 26.90 |
| 25P | 38.40 | 47.05 | 53.05 | 38.75 | 37.10 | 40.40 |
| 37P | 54.80 | 63.50 | 69.40 | 55.00 | 53.30 | 59.80 |



How to order the Part No. (Please replace "X" with appropriate coding listed in the tables below.)

| D | X |
|-------------|---|
| Gender | |
| M Male/Plug | |
| F Female | |
| /Receptacle | |

| X |
|-------------|
| Versions |
| D DIP Type |
| S Soldering |

| XX |
|----------|
| Pin NO |
| 09 9Pin |
| 15 15Pin |
| 25 25Pin |
| 37 37Pin |

| -- | X |
|-----------------|---|
| Contact Plating | |
| 1 Tin | |
| 2 Gold Flash | |
| 3 Gold/Tin | |
| 4 Gold3μ" | |
| 5 Gold5μ" | |
| 6 Gold10μ" | |
| 7 Gold30μ" | |

| X |
|-------------------|
| Shell Plating |
| 1 Gold |
| 2 Nickel |
| 3 Stainless Stell |
| S Special |

| X | -- |
|----------------|----|
| Housing Colour | |
| 01 Block | |
| 02 Blue | |
| 03 Green | |
| 04 Yellow | |

| XX |
|----------|
| Glide NO |
| 01-99 |