

2.54mm(0.1")DIN 41612 Dip Male

Material:

Cotacts : Phosphor Bronze

Housing : 30% Glass filled PBT UL94V-0.

Electrical Characteristics:

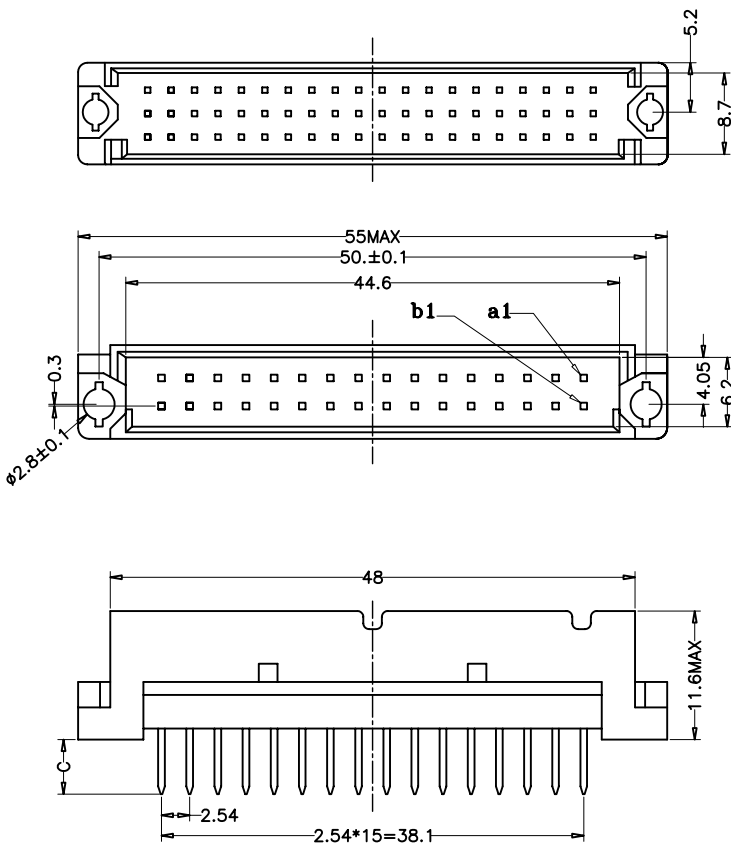
current Rating : 2AMP

Dielectric Withstanding Voltage :AC 1000V For 1 minute

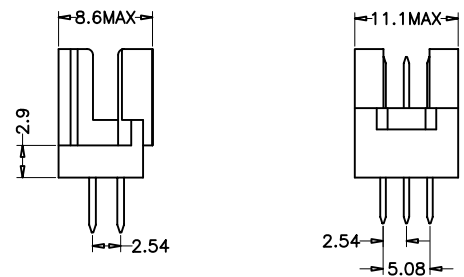
Insulator Resistance : 1000MΩmin. at DC 500v

Contact Resistance : 30mΩmax.at DC 100mA

Operating Temperature : -55°C--+105°C



CODE NO	10	12	30	40
C =	2.5	4	13	17
T =	0.6x0.6	0.6x0.6	0.6x0.6	0.6x0.6



How to order the Part No. (Please replace "X" with appropriate coding listed in the tables below.)

