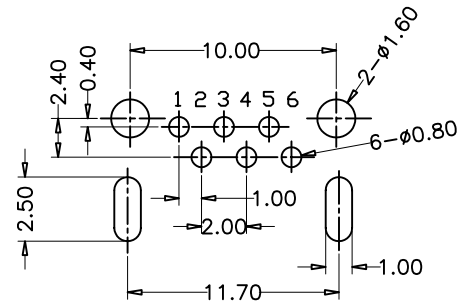
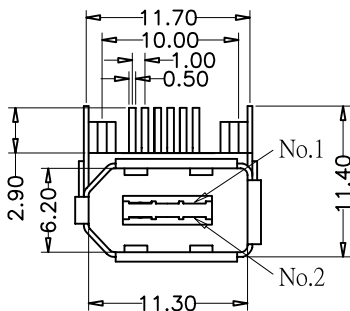
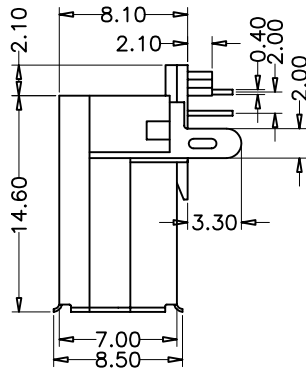
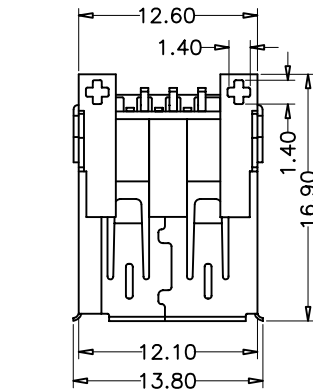
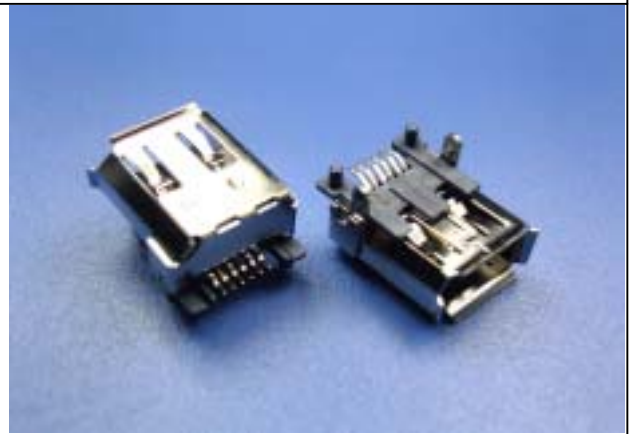


IEEE 1394 A Type Female R/A 6 Pin

SPECIFICATIONS

Current Rating: 1.5 Amp 40V AC
 Insulator Resistance: 500 MΩ MIN
 Dielectric Withstanding: AC 500V
 Contact resistance: 50mΩ MAX.
 Operating Temp.: -55°C ~ +85°C
 Insulator Material: LCP UL94V-0 ROHS
 Contact Material: Copper alloy
 Plated(*Standard): Gold on contact area,
 100u"matte Tin plated
 Shell Material: Copper alloy
 Plated(*Standard): Nickel plated



Recommended P. C. B Layout

How to order the Part No. (Please replace "X" with appropriate coding listed in the tables below.)

1	X	X	X	X	XX	-	X	X	X	-	XX
Connector Type	Gender	Versions	Deck Options	Pin NO	Contact Plating	Shell Plating	Housing Colour	Glide NO			
A: A Type B: B Type	M Male/Plug F Female /Receptacle	D DIP Type M SMT Type S Soldering	1 Single Deck 2 Double Deck 3 Triple Deck	04 4Pin 06 6Pin	1 Tin 2 Gold Flash 3 Gold/Tin 4 Gold3μ" 5 Gold5μ" 6 Gold10μ" 7 Gold30μ"	1 Tin 2 Nickel 3 Stainless Stell S Special	B Block N Beige W White	01-99			