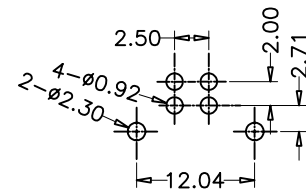
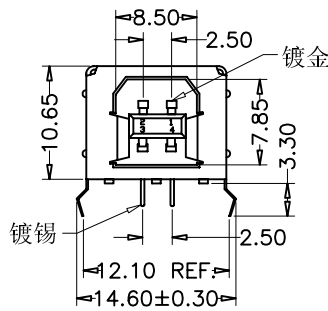


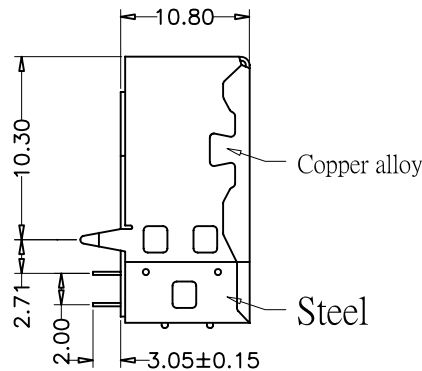
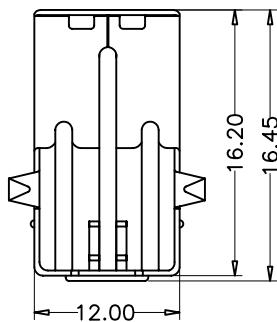
USB B Type Female Straight 4 Pin

SPECIFICATIONS

Current Rating:	1.0 AMP
Insulator resistance:	1000 Megohms Min.
Dielectric Withstanding:	AC 100V
Operating Temp. :	-20°C ~ + 85°C
Contact Material:	Phosphor Bronze
Insulator Material:	PBT UL94V-0 ROHS
Contact Plated:	Selective Plated
Shell Material	Copper Lloy And Steel
Shell Plated	Ni Plated



Recommended P.C.B Layout



How to order the Part No. (Please replace "X" with appropriate coding listed in the tables below.)

U	X	X	X	X	XX	-	X	X	-	XX
Connector Type	Gender	Versions	Deck Options	Pin NO	Contact Plating	Shell Plating	Housing Colour	Glide NO		
A: A Type B: B Type C: C Type P: P Type H: H Type V: V Type	M Male/Plug F Female /Receptacle	D DIP Type M SMT Type S Soldering	1 Single Deck 2 Double Deck 3 Triple Deck	04 4Pin 08 8Pin	1 Tin 2 Gold Flash 3 Gold/Tin 4 Gold3µ" 5 Gold5µ" 6 Gold10µ" 7 Gold30µ"	1 Tin 2 Nickel 3 Stainless Steel S Special	B Block N Beige W White	01-99		