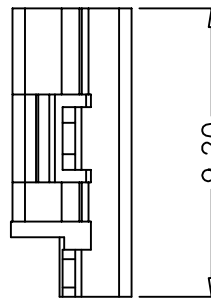
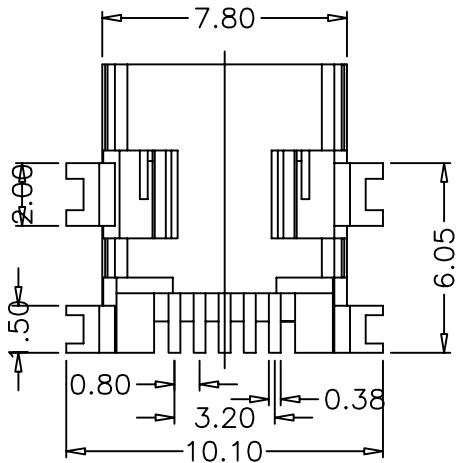
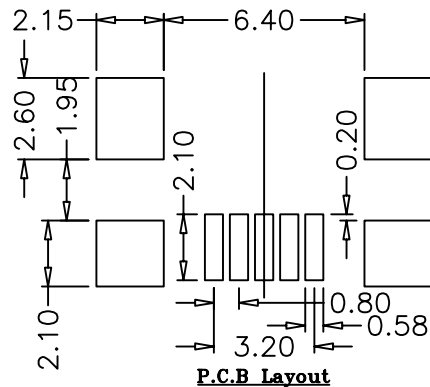
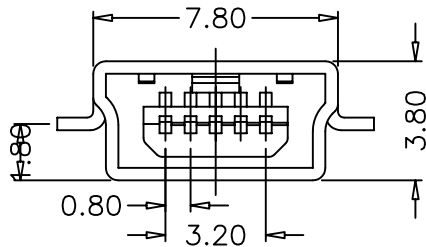
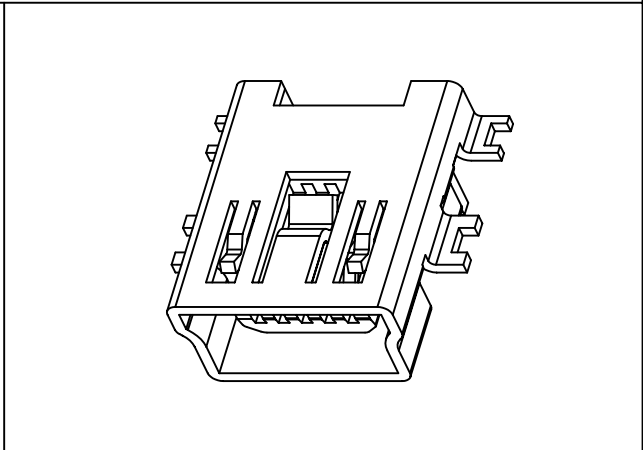


MiniUSB SMT B Type 5 Pin Female

SPECIFICATIONS

Corrent Rating:	1.0Amp
Insulator resistance:	500Megohms min
Contact resistance:	30mΩ MAX.
Dielectric withstanding:	500V AC R. M. S
Operating Temp. :	-25°C ~ +85°C
Insulator material:	LCP UL94V-0 ROHS
Contact material:	Phosphor Bronze
Plated(*Standard):	Gold on contact area, 100u"matte Tin plated
Shell Material:	Bass
Shell plating:	Nickel plated



How to order the Part No. (Please replace "X" with appropriate coding listed in the tables below.)

MU	X	X	X	X	XX	-	X	X	-	XX
Connector Type	Gender	Versions	Deck Options	Pin NO	Contact Plating	Shell Plating	Housing Colour	Glide NO		
A: A Type B: B Type C: C Type P: P Type H: H Type V: V Type	M Male/Plug F Female /Receptacle	D DIP Type M SMT Type S Soldering	1 Single Deck 2 Double Deck 3 Triple Deck	04 4Pin 05 5Pin 10 10Pin	1 Tin 2 Gold Flash 3 Gold/Tin 4 Gold3μ" 5 Gold5μ" 6 Gold10μ" 7 Gold30μ"	1 Tin 2 Nickel 3 Stainless Stell S Special	B Block N Beige W White	01-99		