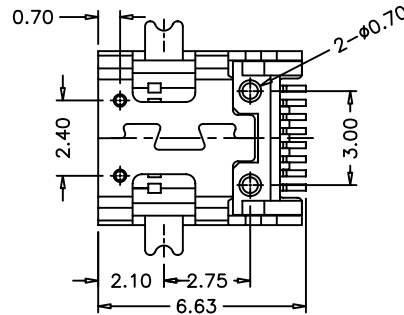
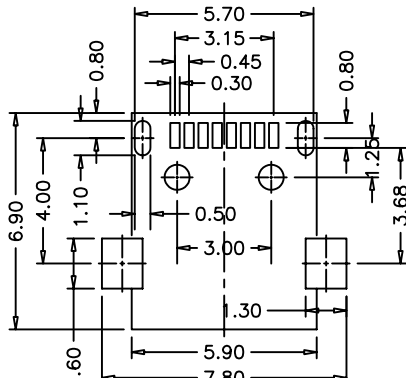
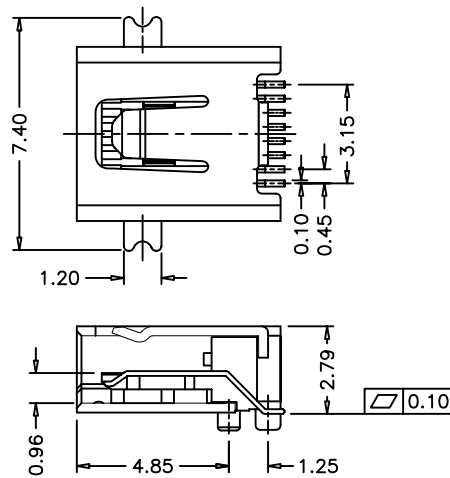
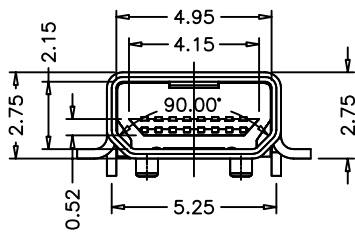
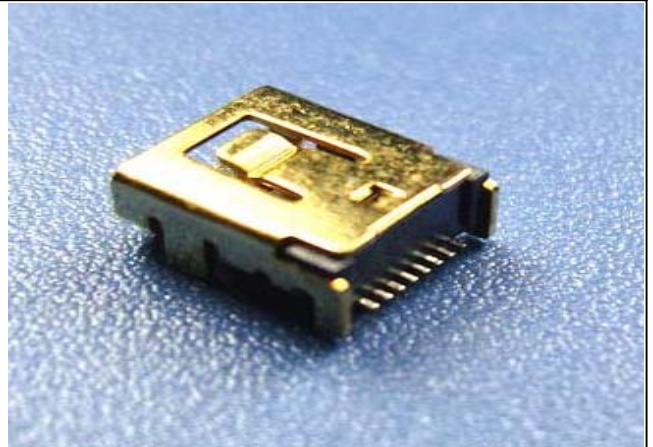


MiniUSB 8Pin Female Tow Single DIP Type

SPECIFICATIONS

Corrent Rating:	1 Amp
Insulator resistance:	100 Megohms min
Contact resistance:	50mΩ MAX.
Dielectric Withstanding:	100V AC
Operating Temp:	-40° C~60° C
Insulator material:	LCP UL94V-0 ROHS
Contact material:	Phosphor Bronze T=0.2mm
Contact Plating:	Gold on contact area, 100u"matte Tin plated
Shell Material:	Brass T=0.3mm
Shell Plating:	Ni plated



RECOMMENDED PCB LAYOUT

How to order the Part No. (Please replace "X" with appropriate coding listed in the tables below.)

MU	X	X	X	X	XX	-	X	X	X	-	XX
Connector Type	Gender	Versions	Deck Options	Pin NO	Contact Plating	Shell Plating	Housing Colour	Glde NO			
A: A Type B: B Type C: C Type P: P Type H: H Type V: V Type	M Male/Plug F Female /Receptacle	D DIP Type M SMT Type S Soldering	1 Single Deck 2 Double Deck 3 Triple Deck	04 4Pin 05 5Pin 10 10Pin	1 Tin 2 Gold Flash 3 Gold/Tin 4 Gold3μ" 5 Gold5μ" 6 Gold10μ" 7 Gold30μ"	1 Tin 2 Nickel 3 Stainless Stell S Special	B Block N Beige W White	01-99			