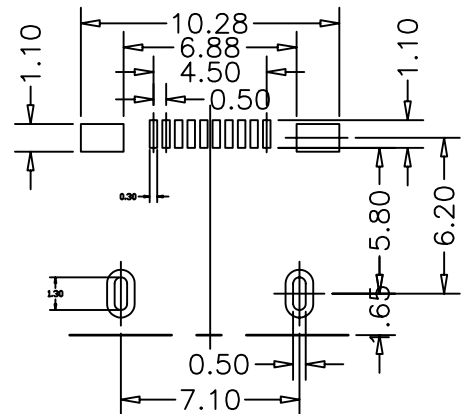
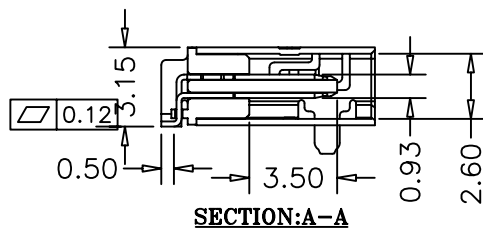
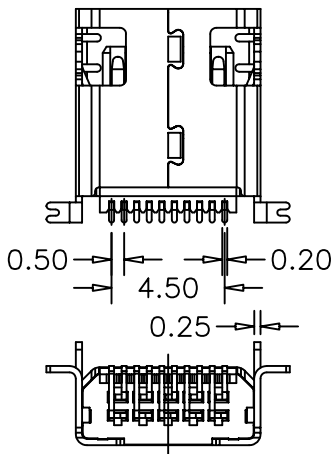
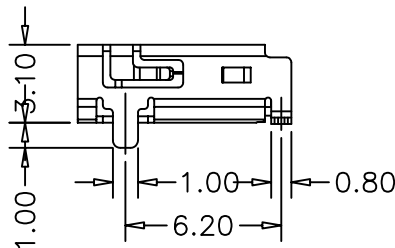
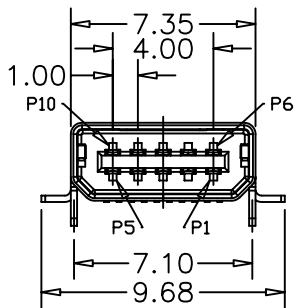
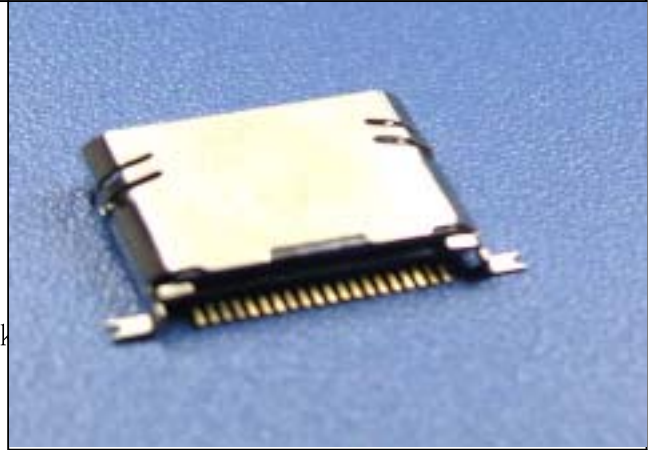


# Mini USB SMT A Type Female 10 Pin

## SPECIFICATIONS

Current Rating: 1 A Max  
 Dielectric Withstanding : AC 500V for 1 minute  
 Insulation Resistance: 1000MΩ min.  
 Contact Resistance: 30mΩ Max.  
 Operating Temperature: -55°C ~ +105°C.  
 Housing: LCP+30% UL94V-0 ROHS Color: Black  
 Contact Material: Phosphor Bronze (t=0.25mm)  
 Contact plating: Gold on contact area,  
 100u"matte Tin plated  
 Shell: Brass t:0.4  
 Shell plating: Fog whole Tin Plated



**P.C.B LAYOUT**

How to order the Part No. (Please replace "X" with appropriate coding listed in the tables below.)

MU	X	X	X	X	XX	-	X	X	X	-	XX
Connector Type	Gender	Version	Deck Options	Pin NO	Contact Plating	Shell Plating	Housing Colour	Glide NO			
A: A Type B: B Type C: C Type P: P Type H: H Type V: V Type	M Male/Plug F Female /Receptacle	D DIP Type M SMT Type S Soldering	1 Single Deck 2 Double Deck 3 Triple Deck	04 4Pin 05 5Pin 10 10Pin	1 Tin 2 Gold Flash 3 Gold/Tin 4 Gold3μ" 5 Gold5μ" 6 Gold10μ" 7 Gold30μ"	1 Tin 2 Nickel 3 Stainless Stell S Special	B Black N Beige W White	01-99			