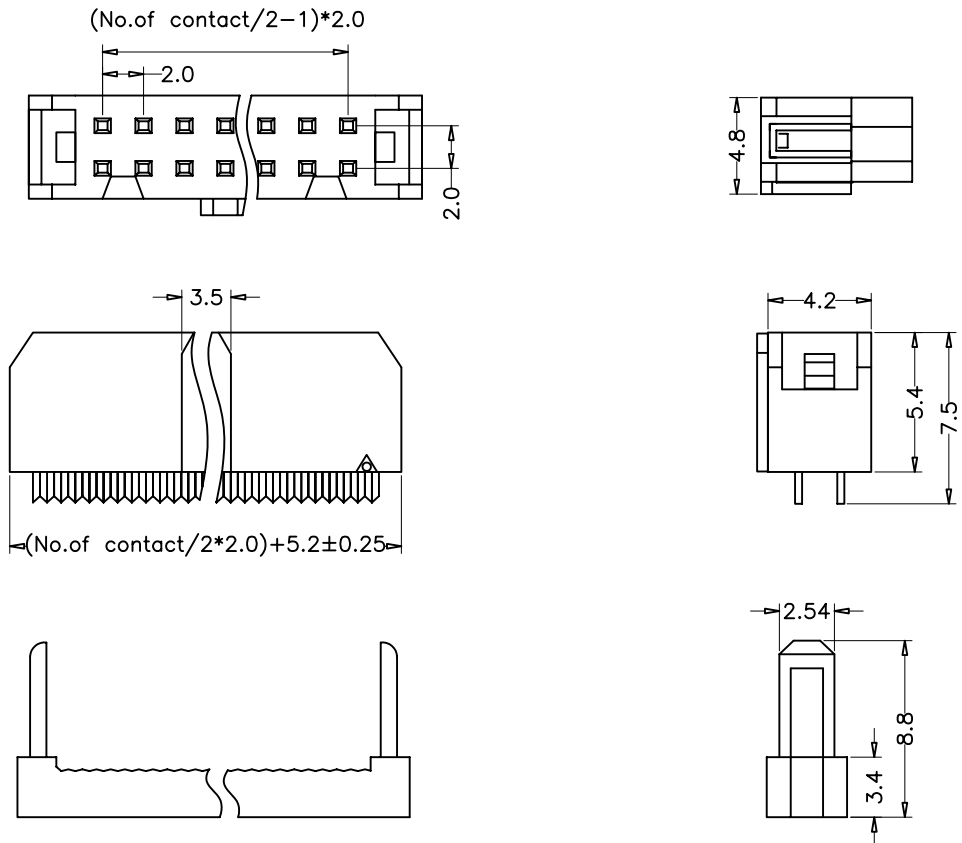
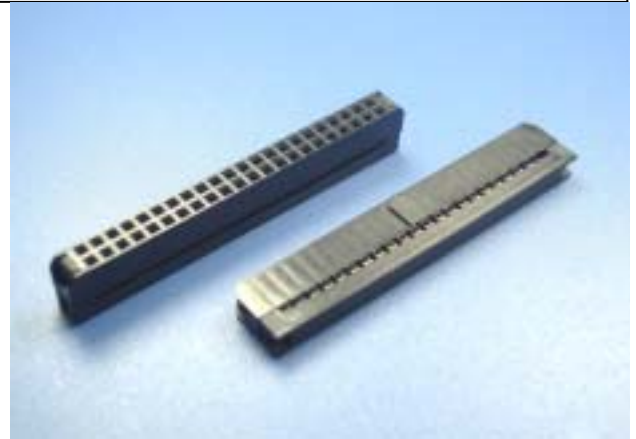


# 2.00mm(0.079") IDC Socket Dual Row For 1.00mm center Flat Ribbon Cable

## SPECIFICATIONS

Current Rating: 1Amp  
 Insulator Resistance: 1000 Megohms min  
 Dielectric Withstanding: AC 500V  
 Operating Temperature: -40° C~+105° C  
 Contact Material: Brass  
 Insulator Material: PBT+30%G.F UL94V-0 ROHS  
 Plating: Tin Plated



How to order the Part No. (Please replace "X" with appropriate coding listed in the tables below.)

IDC	X	X	XX	--	X	X	XX	--	XX
Connector Pitch	Wire Pitch	Pin NO	Connector Type	Housing Colour	Contact Plating	Glide NO			
F 2.00mm H 2.54mm	C 1.00mm E 1.27mm	06 to 64	A: With Nose B: W/O Out Nose	01 Black 02 Blue 03 Green 04 Yellow	01 Tin 02 Gold Flash 03 Gold/Tin	01-99			