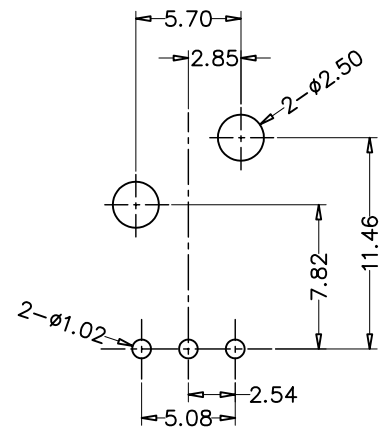
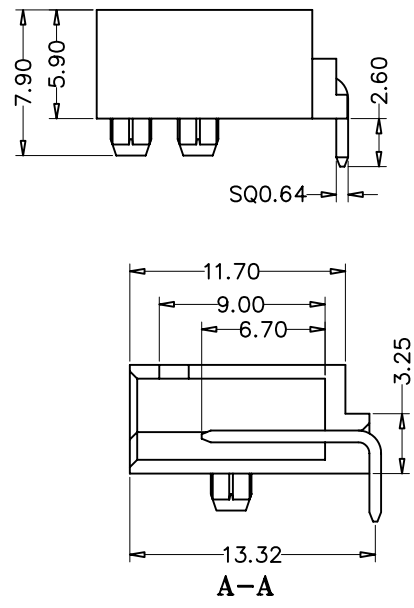
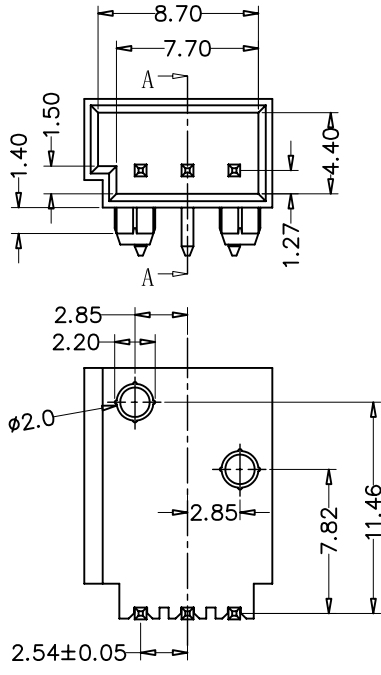
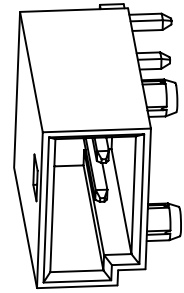


# 2.54mm(0.1") Wafer Single Row R/A 3Pin

## SPECIFICATIONS

Current Rating: 2 Amp  
 Insulator Resistance: 1000M min  
 Dielectric Withstanding: AC 500V  
 Contact resistance: 20m MAX.  
 Operating Temp. : -40° C~+105° C  
 Insulator Material: PBT 30%G/F  
 Contact Material: Copper alloy  
 Plated(\*Standard): Plated Gold G/F and 50~00U" over nickel bottom



**P.C.B Layout**

How to order the Part No. (Please replace "X" with appropriate coding listed in the tables below.)

W X

Pitch	
B	0.80mm
C	1.00mm
D	1.25mm
F	2.00mm
G	2.50mm
H	2.54mm
I	3.96mm
K	5.08mm

X

Versions	
A	180°
B	90°
C	SMT

X

Row Option	
1	Single Row
2	Dual Row

XX --

Pin NO	
02 to 20	

X

Connector Type	
A:	A Type
B:	B Type

XX --

Contact Plating	
01	Tin
02	Gold Flash
03	Gold/Tin

XX

Glide NO	
01-99	