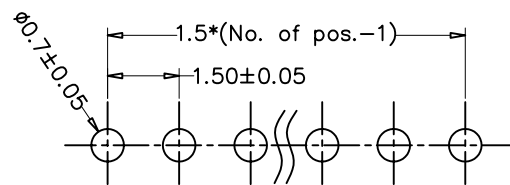
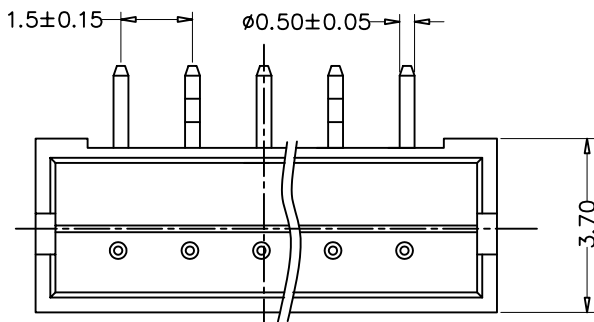
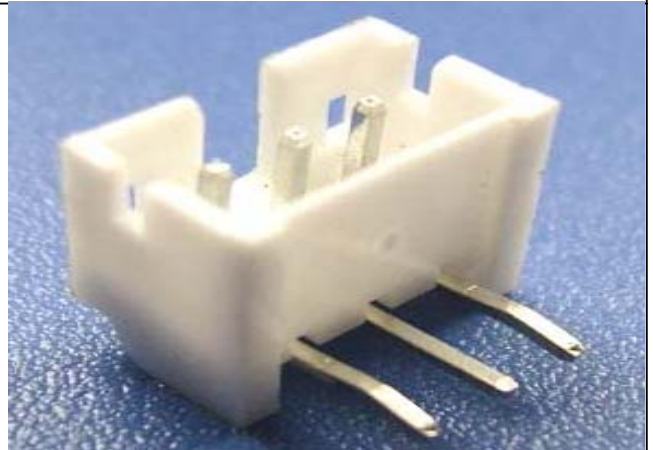


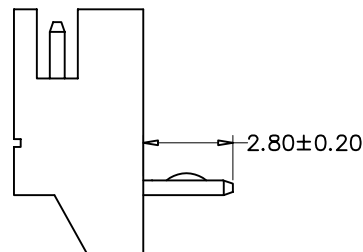
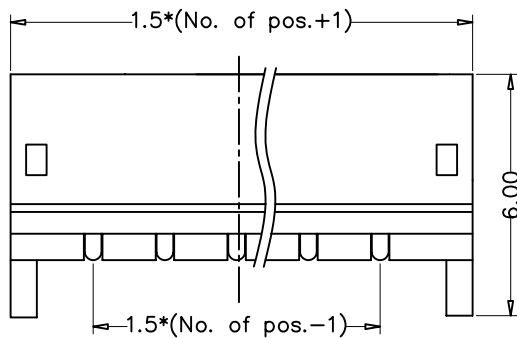
# 1.5mm(0.059") Wafer Single Row R/A 02 to 13 Contacts

## SPECIFICATIONS

Current Rating:	1 Amp
Voltage Rating:	AC 100V
Insulator Resistance:	1000 Megohms min.
Withstand Voltage:	AC 800V min.
Operating Temp. :	-25° C~+85° C
Insulator Material:	PA-66(UL94V-0) ROHS
Contact Material:	Brass
Plated(*Standard) :	Tin Plated



**P.C.B LAYOUT**



How to order the Part No. (Please replace "X" with appropriate coding listed in the tables below.)

W	X	X	X	XX	--	X	XX	--	XX
Pitch	Versions	Row Option	Pin NO	Connector Type	Contact Plating	Glide NO			
B 0.80mm C 1.00mm D 1.25mm F 2.00mm G 2.50mm H 2.54mm I 3.96mm K 5.08mm	A 180° B 90° C SMT	1 Single Row 2 Dual Row	02 to 20	A: A Type B: B Type	01 Tin 02 Gold Flash 03 Gold/Tin	01-99			