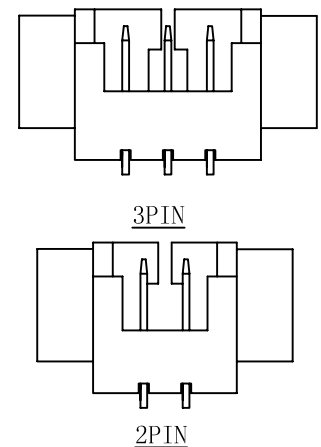
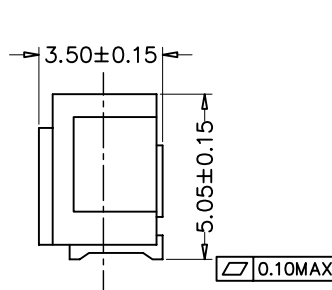
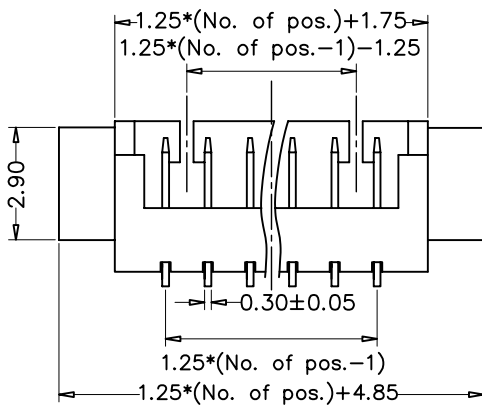
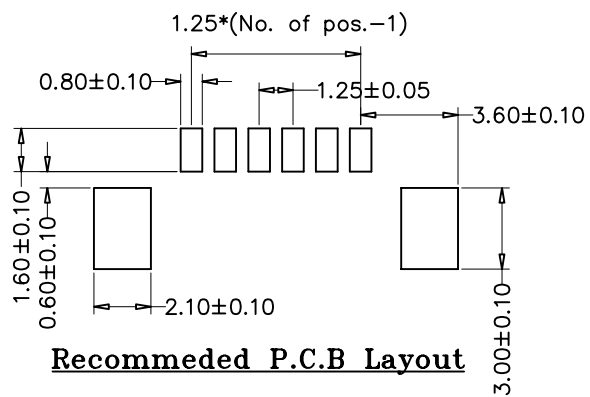
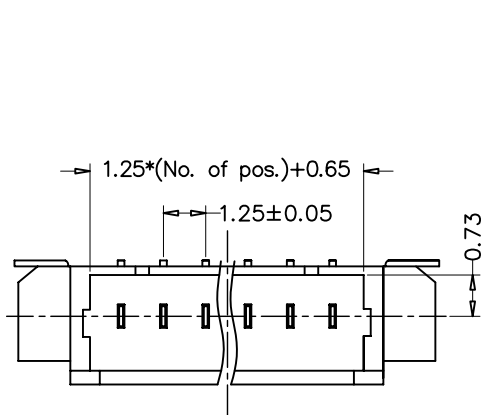
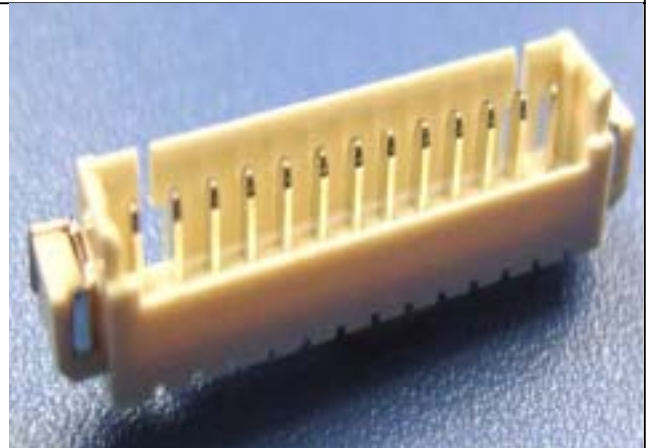


1.25mm(0.0492")Wafer Single Row SMT R/A Type 02 to 15 Contacts

SPECIFICATIONS

Current Rating:	1 Amp
Insulator Resistance:	500 Megohms min.
Dielectric Withstanding:	AC 500V min.
Operating Temp. :	-25°C ~ +80°C
Insulator Material:	PA-46 UL94V-0 ROHS
Contact Material:	Brass
Plated(*Standard):	Tin Plated



How to order the Part No. (Please replace "X" with appropriate coding listed in the tables below.)

W	X
Pitch	
B	0.80mm
C	1.00mm
D	1.25mm
F	2.00mm
G	2.50mm
H	2.54mm
I	3.96mm
K	5.08mm

X	
Versions	
A	180°
B	90°
C	SMT

X	
Row Option	
1	Single Row
2	Dual Row

XX
Pin NO
02 to 20

--	X
Connector Type	
A:	A Type
B:	B Type

XX	
Contact Plating	
01	Tin
02	Gold Flash
03	Gold/Tin

--	XX
Glide NO	
01-99	