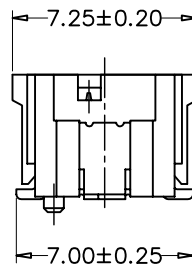
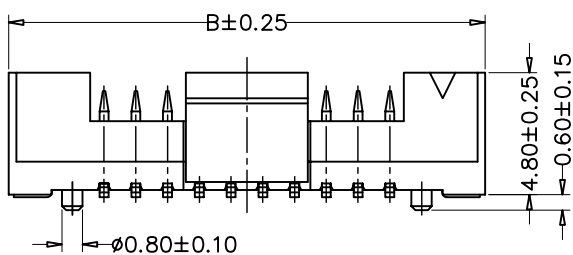
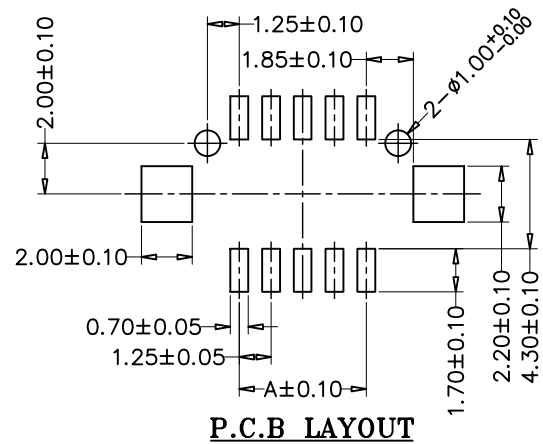
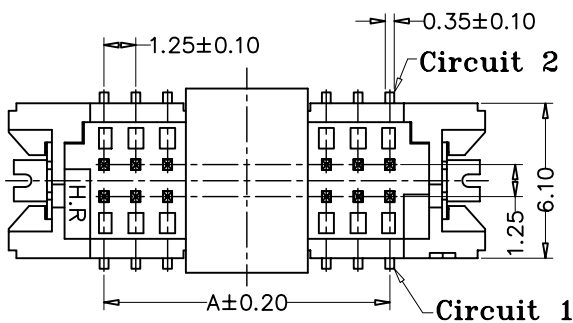
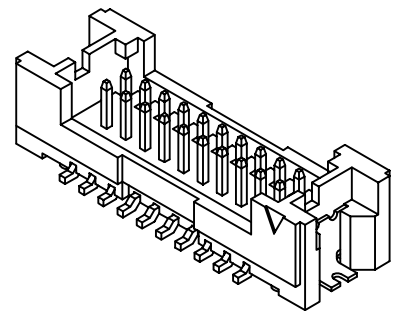


1.25mm(0.0492")Wafer Dual Row SMT Straight Type 10 to 40 Contacts



PART NO.	Dimensions	
	A	B
2*5PIN	5.00	12.50
2*5PIN	5.00	12.50
2*10PIN	11.25	18.75
2*15PIN	17.50	25.00
2*20PIN	23.75	31.25

How to order the Part No. (Please replace "X" with appropriate coding listed in the tables below.)

W **X**

Pitch

- B 0.80mm
- C 1.00mm
- D 1.25mm
- F 2.00mm
- G 2.50mm
- H 2.54mm
- I 3.96mm
- K 5.08mm

X

Versions

- A 180°
- B 90°
- C SMT

X

Row Option

- 1 Single Row
- 2 Dual Row

XX --

Pin NO

02 to 20

X

Connector Type

- A: A Type
- B: B Type

XX --

Contact Plating

- 01 Tin
- 02 Gold Flash
- 03 Gold/Tin

XX

Glide NO

01-99