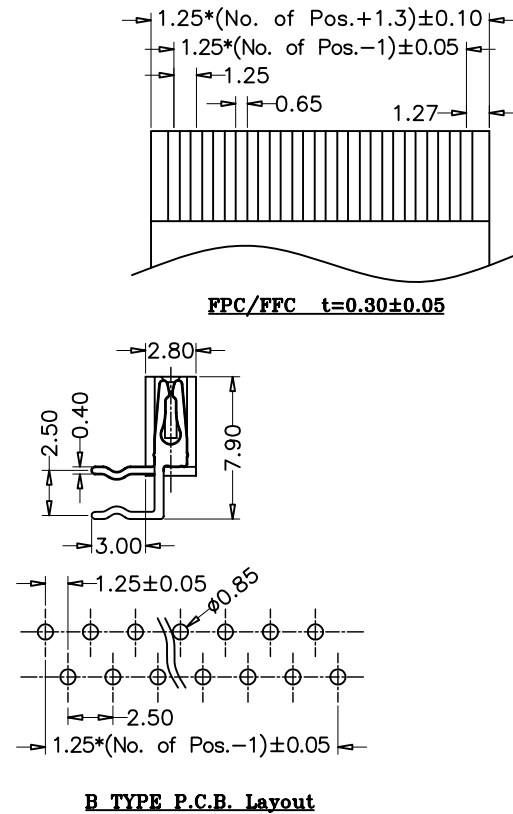
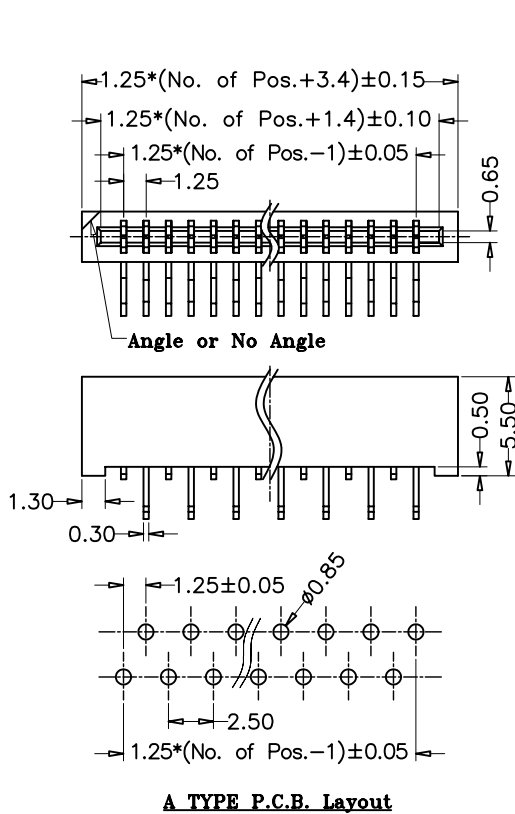
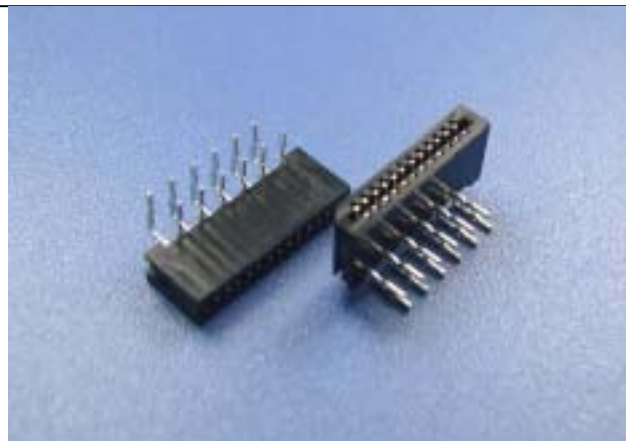


1.25mm(0.492") FPC Non ZIF Contact 04 to 30 Contacts

SPECIFICATIONS

Current Rating: 1 Amp
 Insulator Resistance: 500 Megohms min.
 Dielectric Withstanding: AC 500V
 Operating Temp.: -40° C ~ +85° C
 Contact Material: Brass
 Housing Material: High Temperature Thermoplastic
 Contact Plated: Tin Plated



How to order the Part No. (Please replace "X" with appropriate coding listed in the tables below.)

F	X	X	X	XX	X	X	--	XX
Pitch	Versions	Row Option	Pin NO	Contact Plating	Connector Type			Glide NO
A 0.30mm B 0.50mm C 0.80mm D 1.00mm E 1.25mm	A 180° B 90° C SMT	1 Single Row 2 Dual Row	02 to 50	01 Tin 02 Gold Flash 03 Gold/Tin	A A Type B B Type			01-99