

0.5mm(0.02") FPC ZIF SMT R/A

Type Contact 04 to 60 Contacts

SPECIFICATIONS

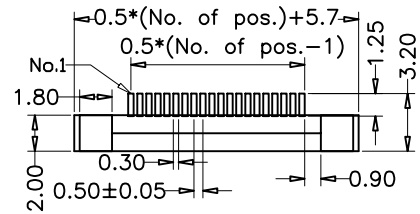
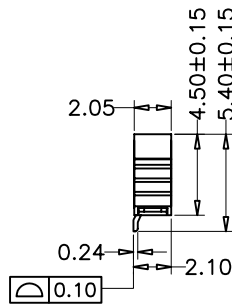
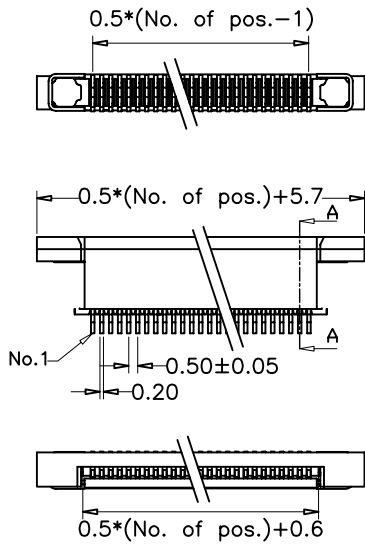
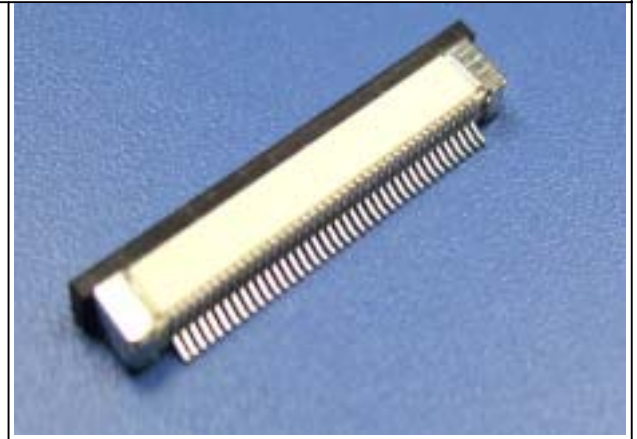
MATERIAL :

HOUSING : THERMALPLASTIC , HEATPROOF
 PLASTIC / UL 94V-0 ROHS

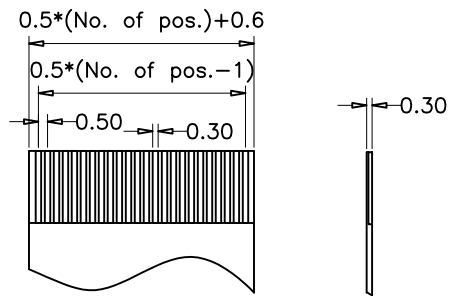
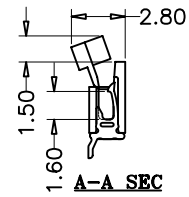
COVER : THERMALPLASTIC ,
 PPS / UL 94V-0 ROHS

CONTACT : PHOSPHOR BRONZE ,
 C5191R-SH , T=0.20mm
 100~200m" TIN/LEAD(9:1) OVER
 50~100m" NICEL OVER ALL

FITTING NAIL : PHOSPHOR BRONZE , C5191R-SH , T=0.20mm
 100~200m" TIN/LEAD(9:1) OVER
 50~100m" NICEL OVER ALL



RECOMMENDED PCB LAYOUT



APPLICABLE FPC

How to order the Part No. (Please replace "X" with appropriate coding listed in the tables below.)

F	X	X	X	XX	X	X	--	XX
Pitch	Versions	Row Option	Pin NO	Contact Plating	Connector Type	Glide NO		
A 0.30mm B 0.50mm C 0.80mm D 1.00mm E 1.25mm	A 180° B 90° C SMT	1 Single Row 2 Dual Row	02 to 50	01 Tin 02 Gold Flash 03 Gold/Tin	A A Type B B Type	01-99		